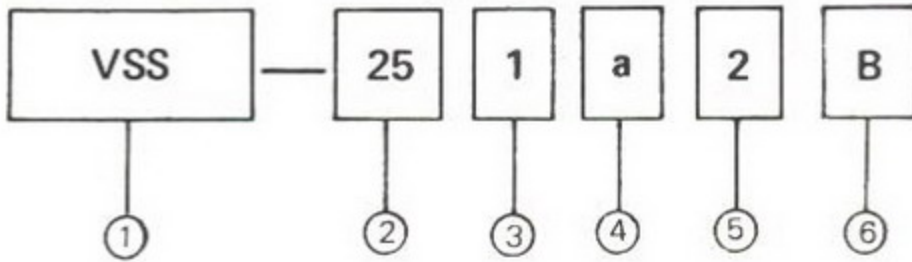


SELECTOR SWITCH

MODEL DESIGNATIONS



SPECIFICATIONS

Current Ratings:

Alternate Current	AC125V	AC250V	AC500V	AC600V
	10A	6A	3A	2A
Direct Current	DC125A	DC250V	DC600V	
	2A	1A	0.4A	

Dielectric Strength:

AC2200V for duration of one minute.

Insulation Resistance: Over 100M Ω @ DC500V.

Temperature Rise:

At Contacts Less than 30 degrees.

At Terminals Less than 25 degrees.

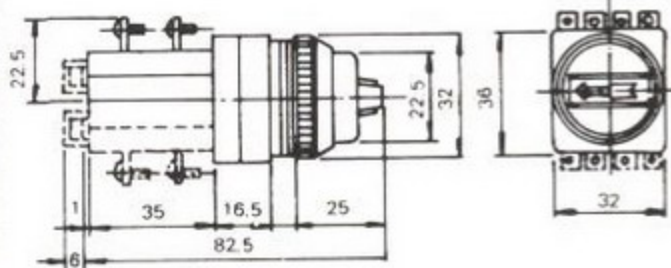
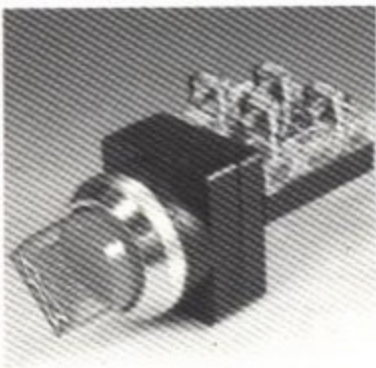
(@ Ambient temperature of 40°C, and a continuous current of 10 amperes)

Contact Resistance: Less than 30m Ω

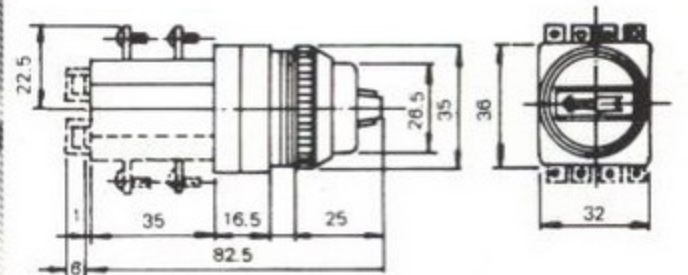
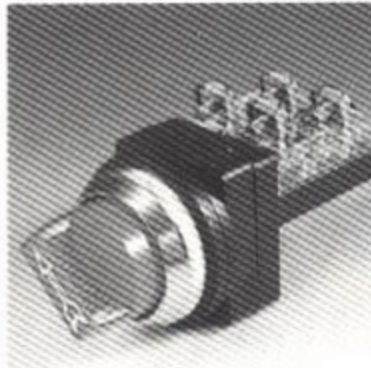
Ambient Temperature Allowable: -20°C ~ +60°C

Designation	Signal	Description
1. Type	VSS VKS VSSL	Knob Type Selector Switch Key Type Selector Switch Long Knob Selector Switch
2. Mounting Hole	25 30	ϕ 25m/m ϕ 30m/m
3. No. of Contact Blocks Fitted	1~4	1~4
4. Type of Contact Blocks Fitted	(None) a b	1a1b (NO-NC) 1a (NO) 1b (NC)
5. Positions	2 3	2 Positions 3 Positions
6. Knob Color	R G B	Red Green Black (Knob Type Only)

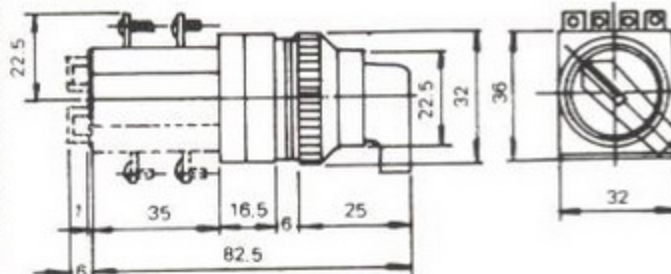
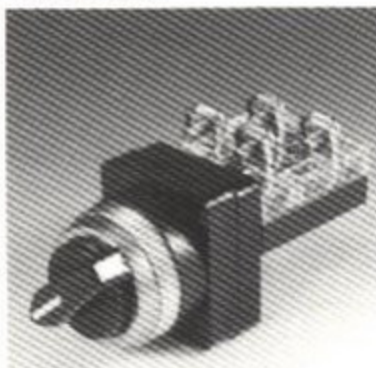
VSS-251



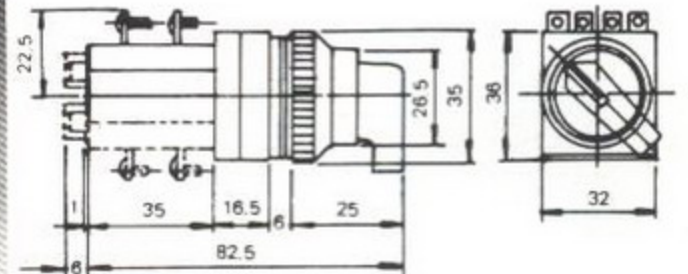
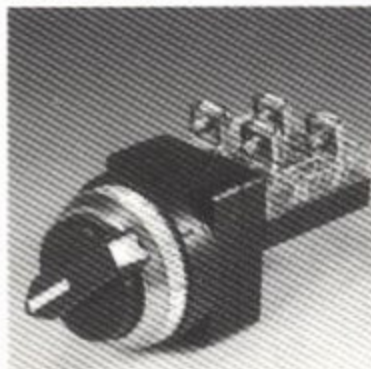
VSS-301



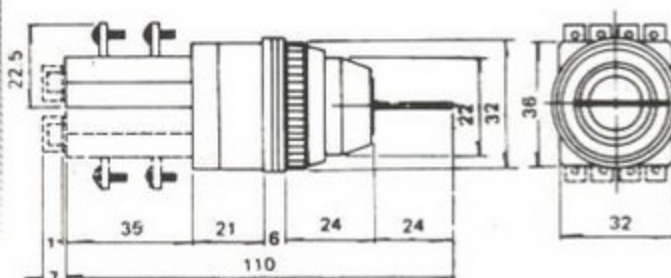
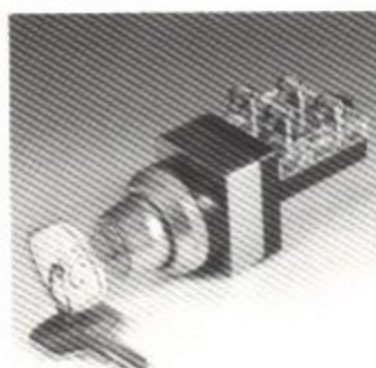
VSSL-251



VSSL-301



VKS-251



VKS-301

