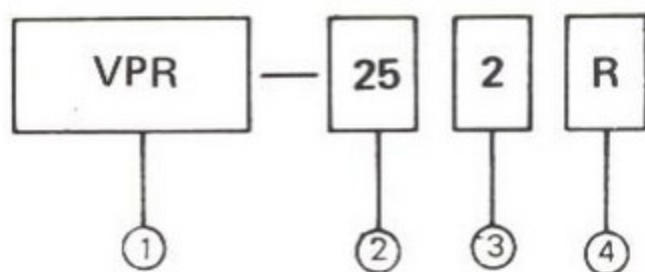


PILOT LAMP

MODEL DESIGNATIONS



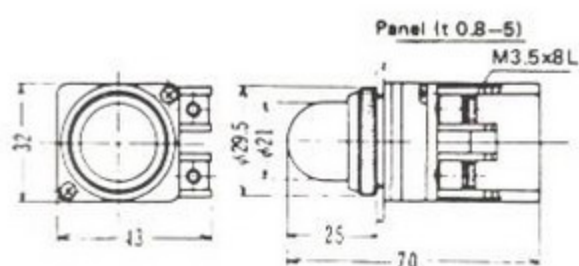
| Classification | Bulb Type | | |
|---|-----------|------|-------|
| ϕ 25m/m VPR VPF Series VPS | E-10 | 6.3V | 0.15A |
| | " | 24V | 1W |
| | " | 30V | 1W |
| ϕ 30m/m VPR VPF VPS Series VPL | E12 | 18V | 0.11A |
| | " | 24V | 1W |
| | " | 30V | 1W |

| Designation | Signal | Description | | |
|------------------|--------|---------------------|--|---------------------|
| 1. Type | VPR | Round Type | | |
| | VPS | Square Type | | |
| | VPF | Flat Type | | |
| | VPL | Large Type | | |
| | VPRF | Flash Type (Round) | | |
| | VPSF | Flash Type (Square) | | |
| | VPLF | Flash Type (Large) | | |
| | | | | |
| 2. Mounting Hole | 25 | ϕ 25m/m | | |
| | 30 | ϕ 30 m/m | | |
| 3. Rated Voltage | 1 | 110VAC | | |
| | 2 | 220VAC | | |
| | 3 | 380VAC | | |
| | 4 | 440VAC | | |
| | 5 | 6.3VAC (DC) | | Without Transformer |
| | 6 | 18VAC (DC) | | |
| | 7 | 24VAC (DC) | | |
| | 8 | 30VAC (DC) | | |
| | | | | |
| 4. Lens Color | R | Red | | |
| | G | Green | | |
| | O | Orange | | |
| | W | White | | |
| | BL | Blue | | |

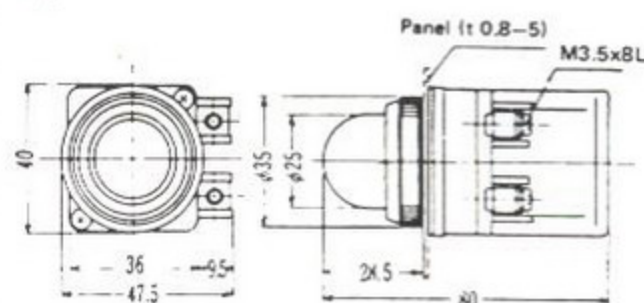
Dielectric Strength:
 2200V AC for duration of one minute
 Insulation Resistance:
 Over 100 megohms @ 500V DC

DIMENSIONS

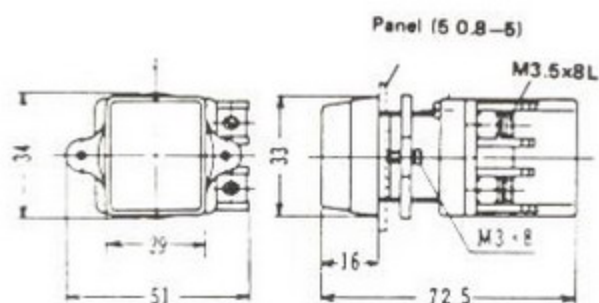
VPR-252



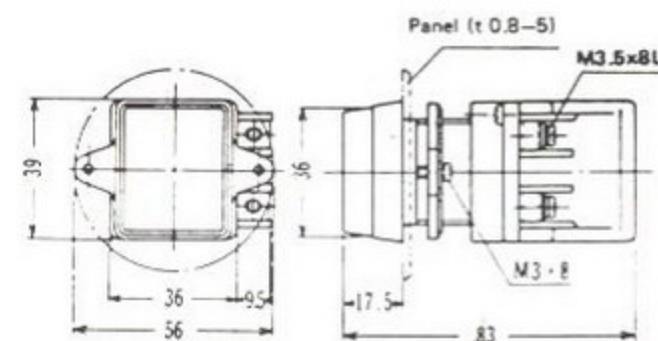
VPR-302



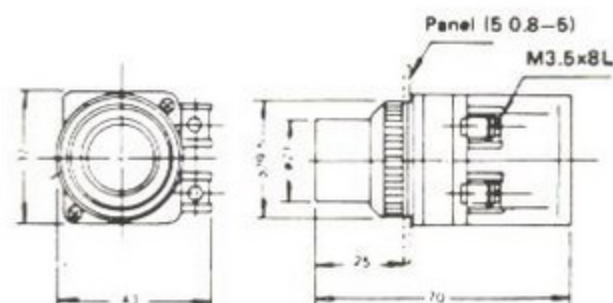
VPS-252



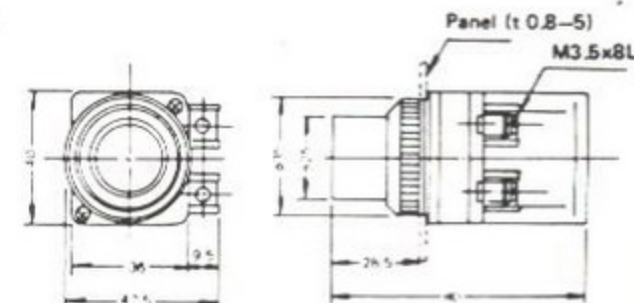
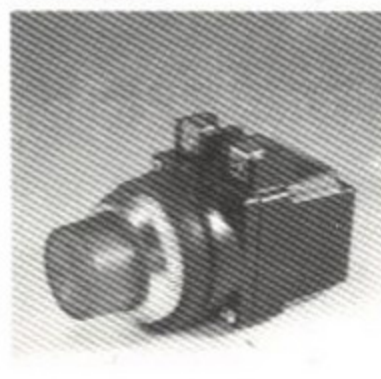
VPS-302



VPF-252

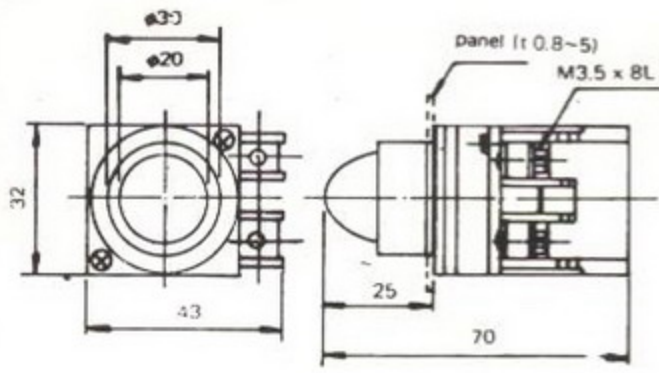


VPE-302

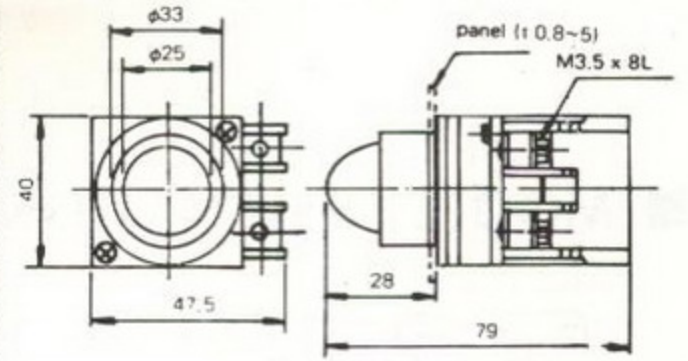


PILOT LAMP

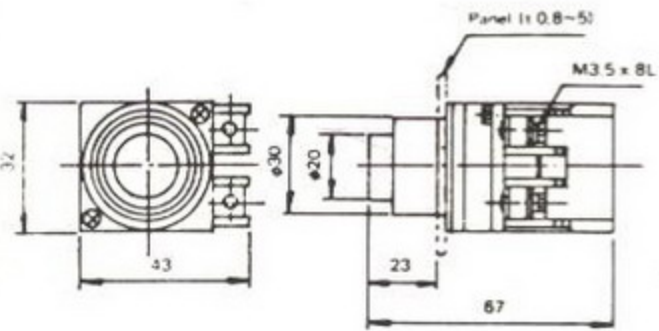
VPRR-252



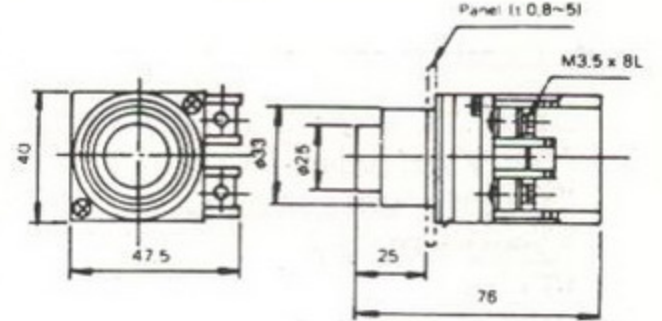
VPRR-302



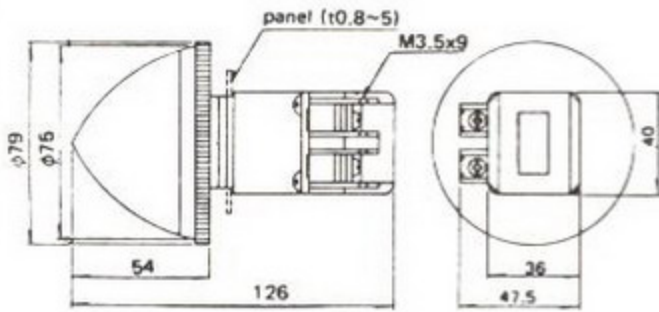
VPFR-252



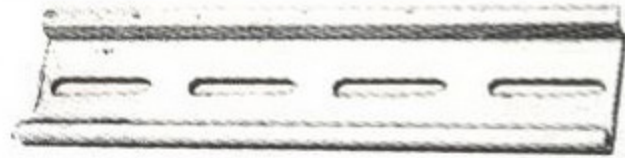
VPFR-302



VPL-302

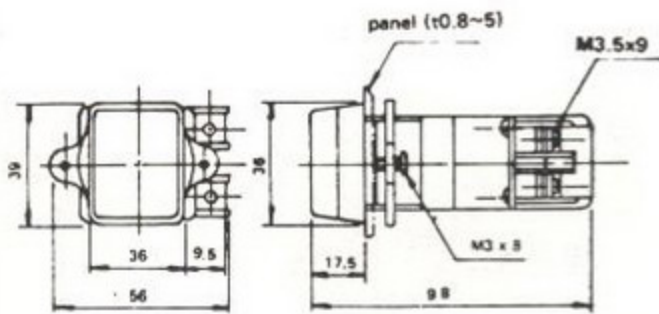


35mm DIN RAIL - ALUMINUM 1 METER

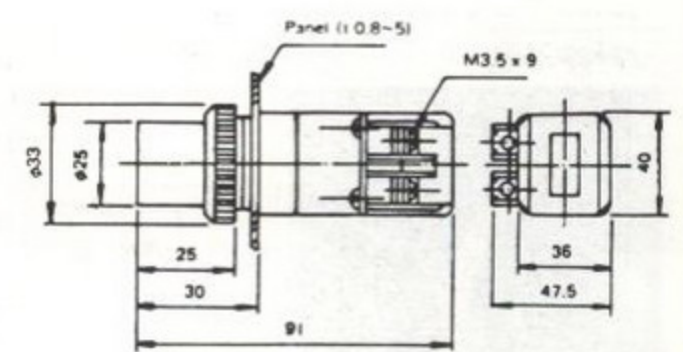


FLASH LAMP

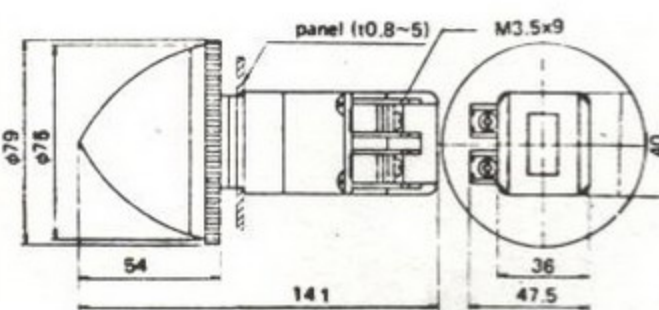
VPSF-302



VPFF-302



VPLF-302



VPRF-302

