
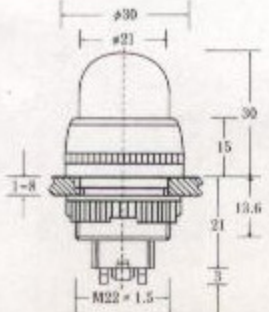

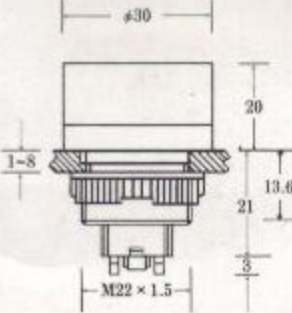

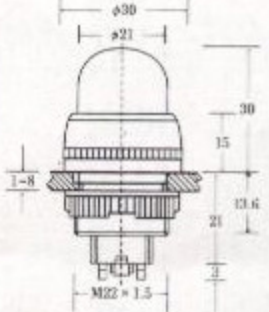
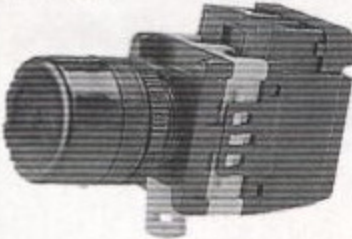
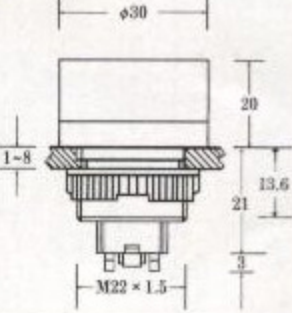


Pilot Lamps Direct Power

Pilot Lamps With Transformer

| | | |
|--|---|--|
| <p>AL-22</p>  |  | <p>Round Head</p> <p>DC: 6V, 12V, 18V, 24V, 30V, 36V, 48V AC: 110V, 220V, 380V, 440V W/BA9S BULB</p> |
| <p>AL-22TE</p>  |  | <p>Flat Head</p> <p>DC: 6V, 12V, 18V, 24V, 30V, 36V, 48V AC: 110V, 220V, 380V, 440V W/BA9S BULB</p> |

| | | |
|--|---|---|
| <p>ALT-22</p>  |  | <p>Round Head</p> <p>AC 110V/6.3V 220V/6.3V 380V/6.3V 440V/6.3V W/BA9S BULB</p> |
| <p>ALT-22TE</p>  |  | <p>Flat Head</p> <p>AC 110V/6.3V 220V/6.3V 380V/6.3V 440V/6.3V W/BA9S BULB</p> |

Pilot Lamps

- * Direct Power W. Neon Bulb
- * Colors: G = Green, R = Red, Y = Yellow,
B = Blue, W = White

- * Lamp Holder: BA9S
- * Voltage: AC110V, 220V, 380V, 440V
- * Neon Bulb Color: Red or Green

MK/L-22



MK/LR-22



MK/L-30



MK/LR-30

