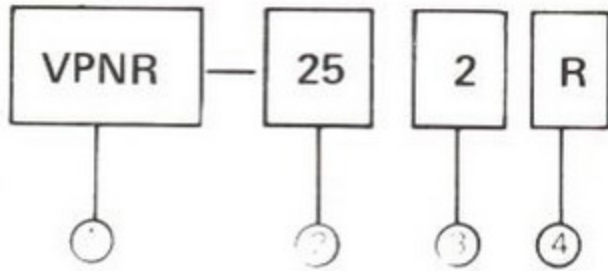


INDICATOR

These types of Pilot lamps are direct type, without transformers. AC 110V, AC 220V, AC 380V, AC 440V are Neon lamps.

MODEL DESIGNATIONS



LAMP DESCRIPTION

VNP-11, VNP-15 Series are 110V AC, 220V AC only.

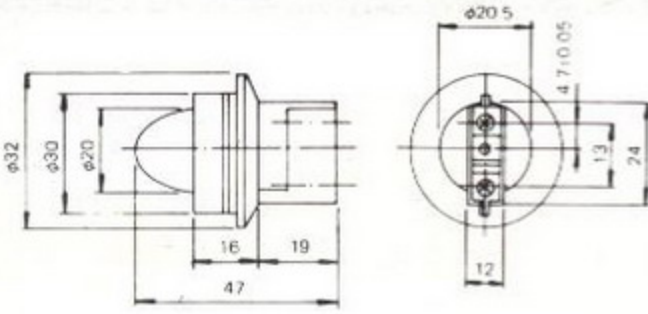
VPN-11, VPN-14 Series are 110V AC, 220V AV Only.

DESIGNATION	Signal	Description
1. Type	VPNR VPNF VPNRR VPNFR VPNS VPN	Round Neon Lamp Flat Neon Lamp Round Type (With Ring) Flat Type (With Ring) Square Neon Lamp Neon Lamp
2. Mounting Hole	25 30 11 12 15 16	ϕ 25 m/m ϕ 30 m/m ϕ 11 m/m ϕ 12 m/m ϕ 15 m/m ϕ 16 m/m
3. Rated Voltage	1 2 3 4 5 6 7 8 9	110 VAC 220 VAC 380 VAC 440 VAC 6.8 VAC (DC) 18 VAC (DC) 24 VAC (DC) 30 VAC (DC) 12 VAC (DC)
4. Lens Color	R G O W BL	Red Green Orange White Blue

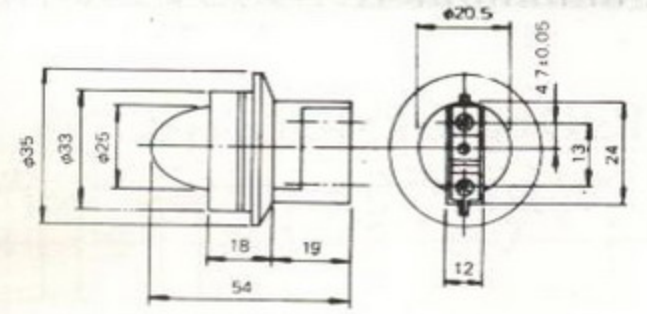
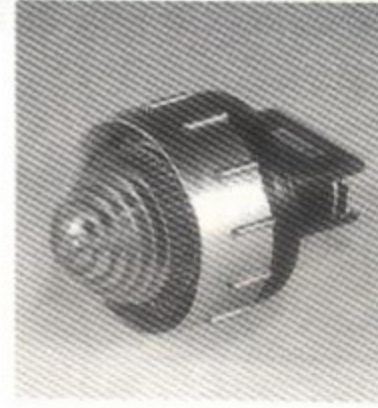
DIMENSIONS

<p>VPN-122</p>	<p>VPN-162</p>
<p>VPNF-302</p>	<p>VPNR-302</p>
<p>VPNF-252</p>	<p>VPNR-252</p>

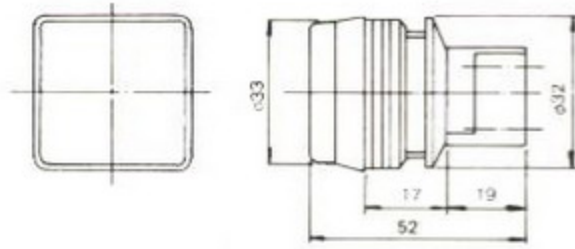
VPNRR-252



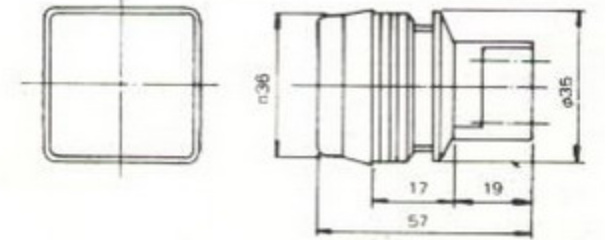
VPNRR-302



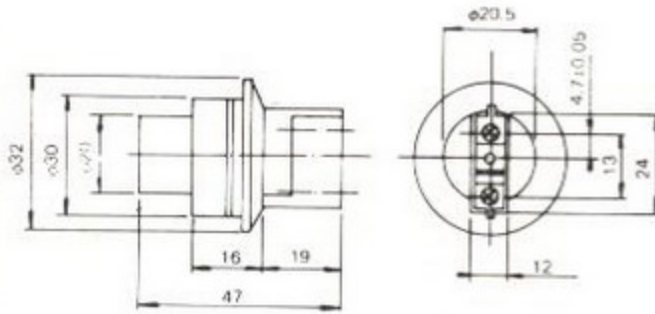
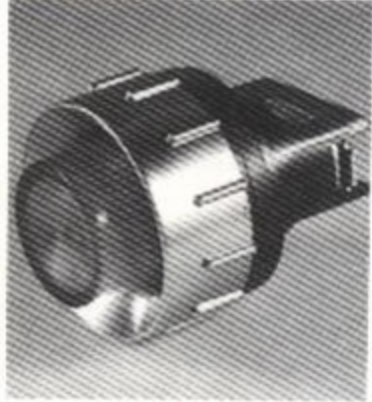
VPNS-252



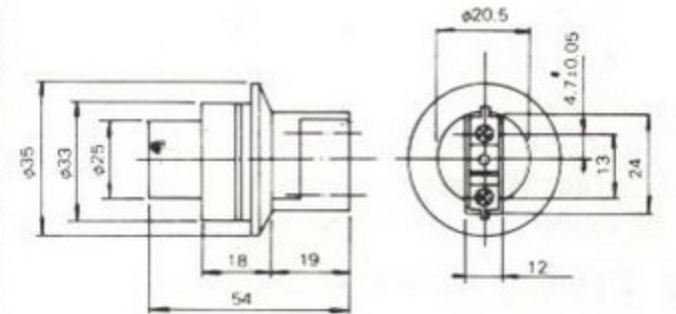
VPNS-302



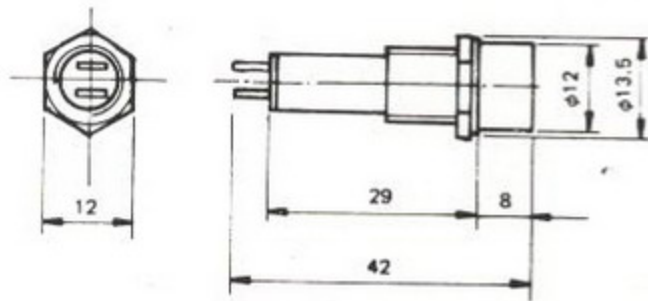
VPNFR-252



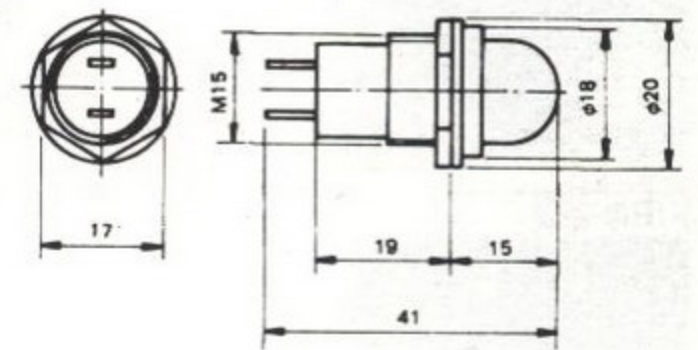
VPNFR-302



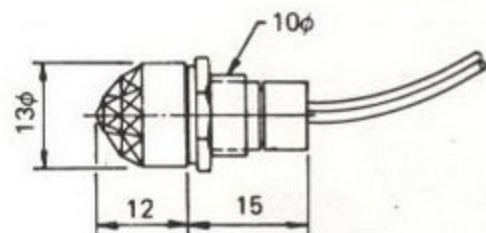
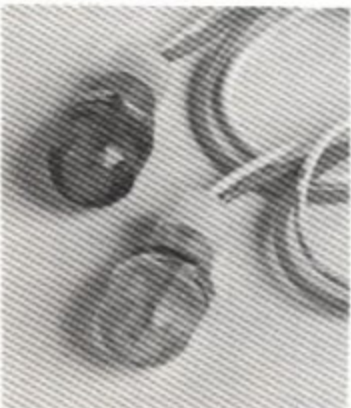
VPN-112



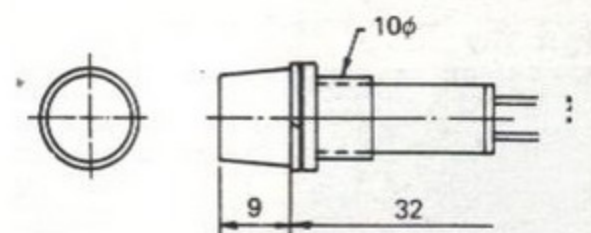
VPN-152



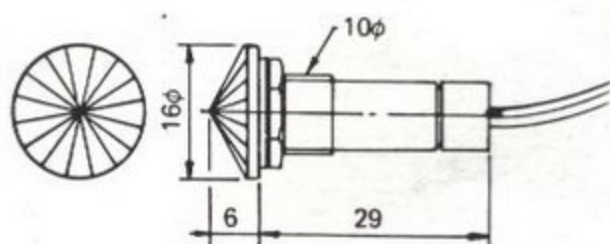
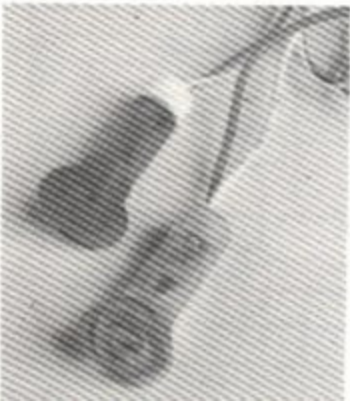
VPN-104 10φ



VPN-102 10φ



VPN-103 10φ



VPN-165 16φ

