

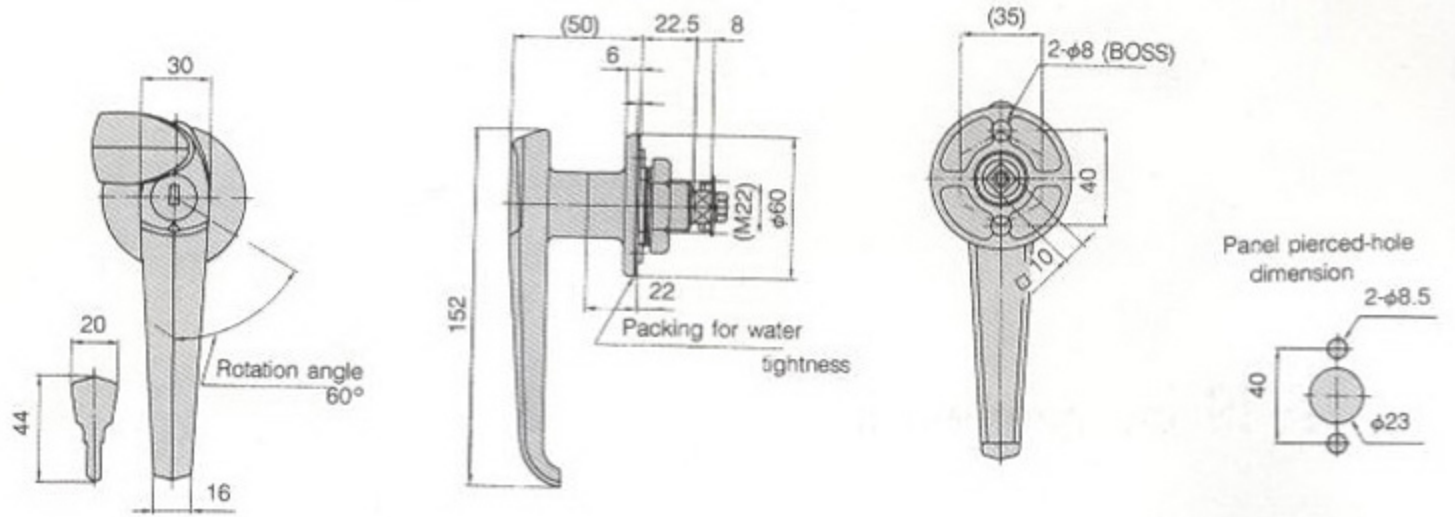
# PANEL LOCKS

## A-140-1 WATERPROOF LEVER HANDLES

A-140-1-1      A-140-1-2



A-140-1-1 with keys  
A-140-1-2 without keys

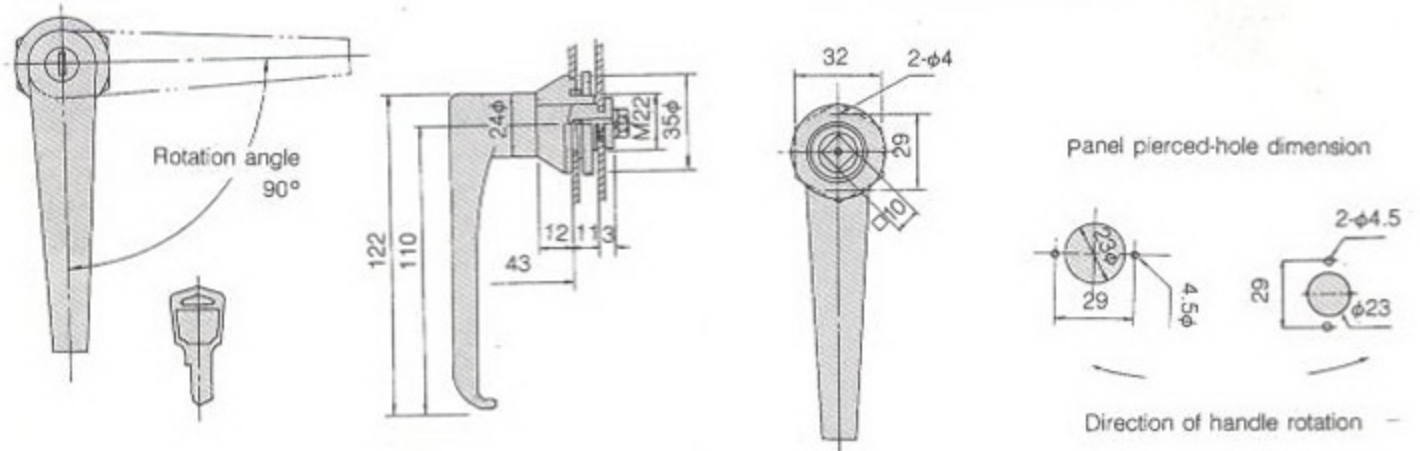


## A-2033-1 LEVER HANDLES

A-2033-1      B-2033-1



Model No. A-2033-1 with keys  
B-2033-1 without keys

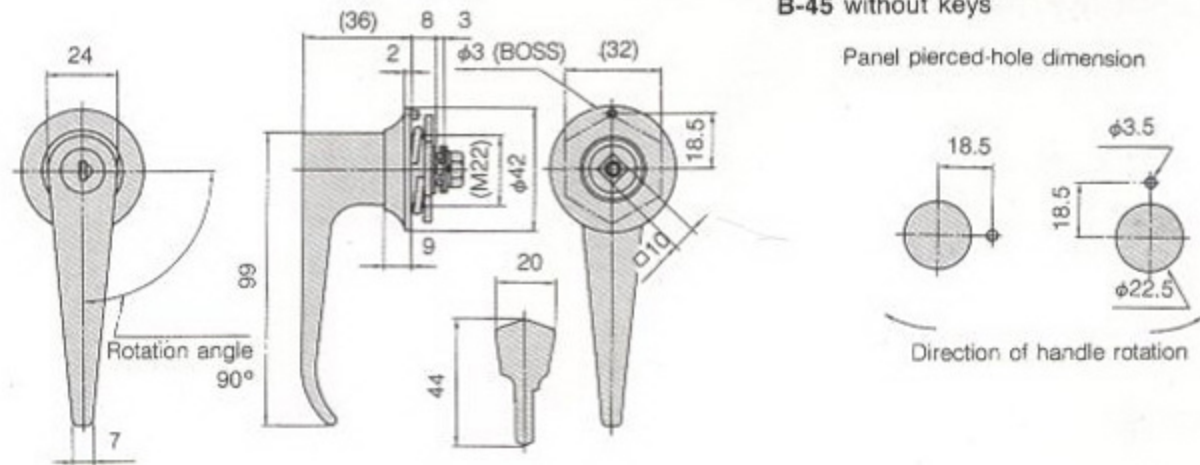


## A-45 J-SHAPED HANDLES

A-45      B-45



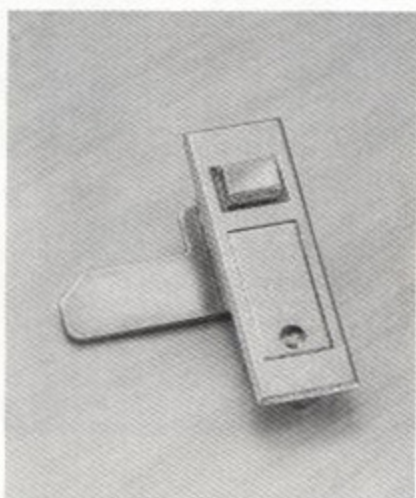
Model No. A-45 with keys weight: 210g  
B-45 without keys



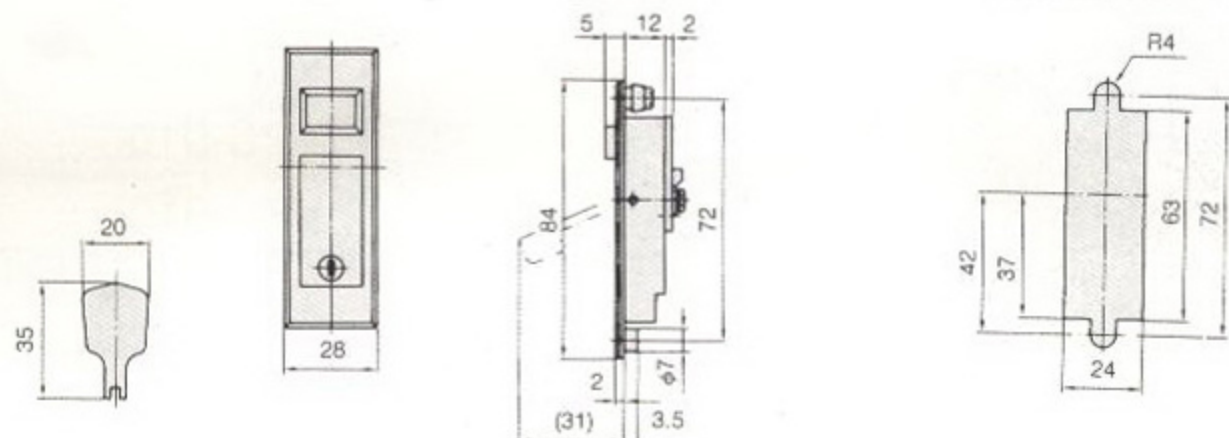
## A-160-3 FLUSH HANDLES WITH PUSH BUTTON

A-160-3

A-160-3 with keys weight: 140g



Panel cutout dimension



# PANEL LOCKS

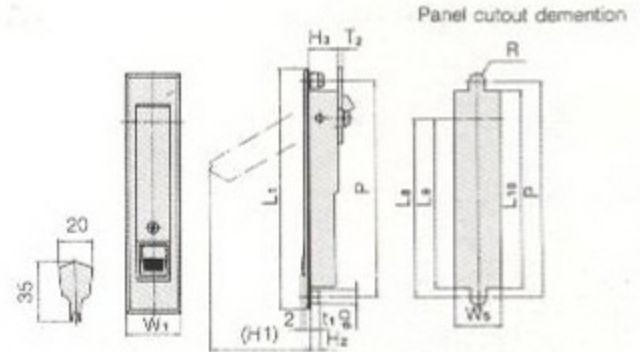
## A-240 FLUSH HANDLES

A-240



A-240-2-1 with keys  
A-240-2 without keys

A-240-3-1 with keys  
A-240-3 without keys

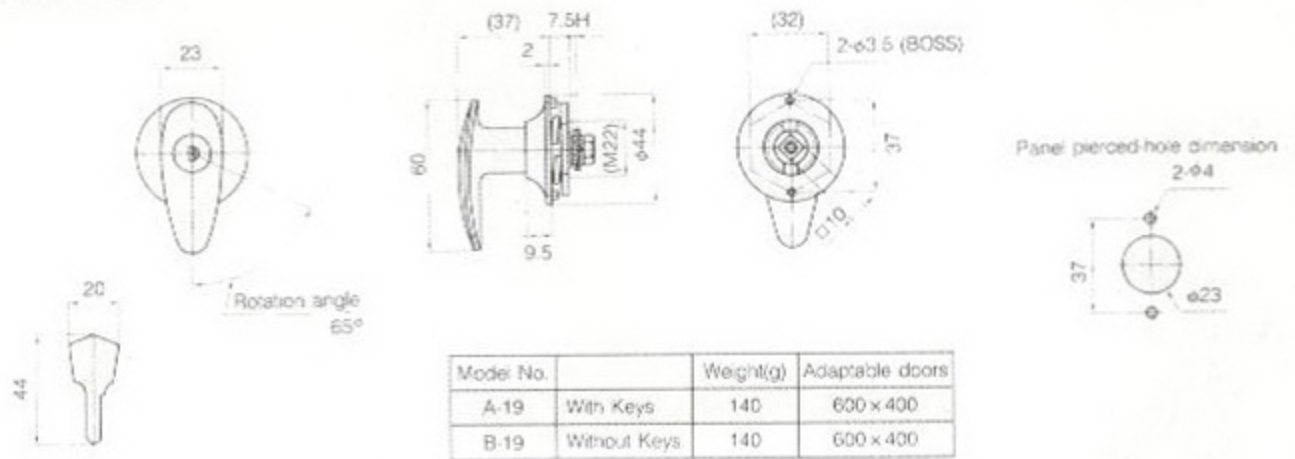


Model No.	L1	L2	L3	L4	L5	L6	L7	L8	L9	L10	W1	W2	W3	W4	W5	H1	H2	H3	H4	H5	H6	H7	H8	H9	H10	P	φD	R	Weight	Adaptable doors
A-240	2	112	81	76	94	28	24	50	4	12	2	2	100	6	3.5	140	1000 x 500													
A-240	3	83	53	48	63	28	24	25	4	12	2	2	72	6	3.5	120	600 x 400													

## A-19 O-SHAPED HANDLES

A-19

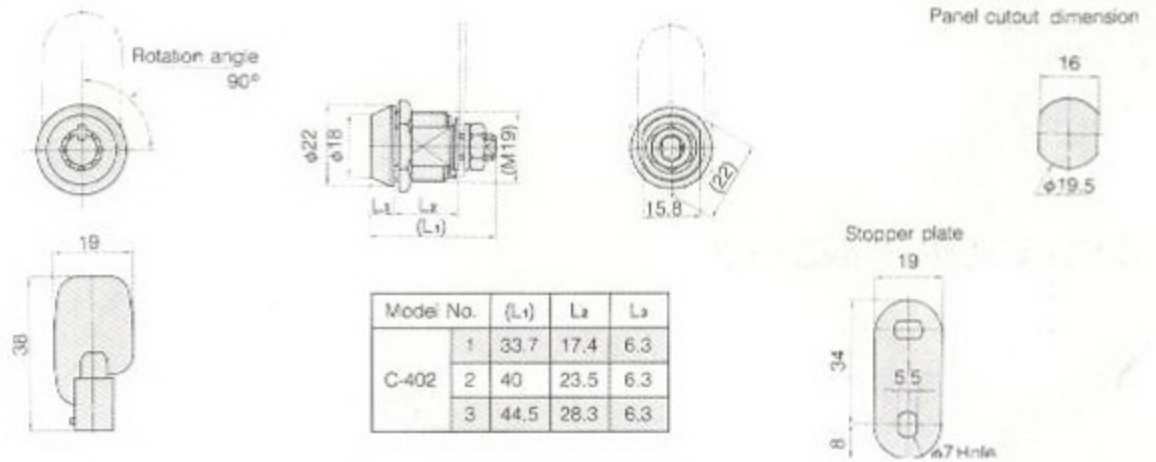
B-19



Model No.	Weight(g)	Adaptable doors
A-19 With Keys	140	600 x 400
B-19 Without Keys	140	600 x 400

## C-402 CAM LOCKS (BRASS)

C-402

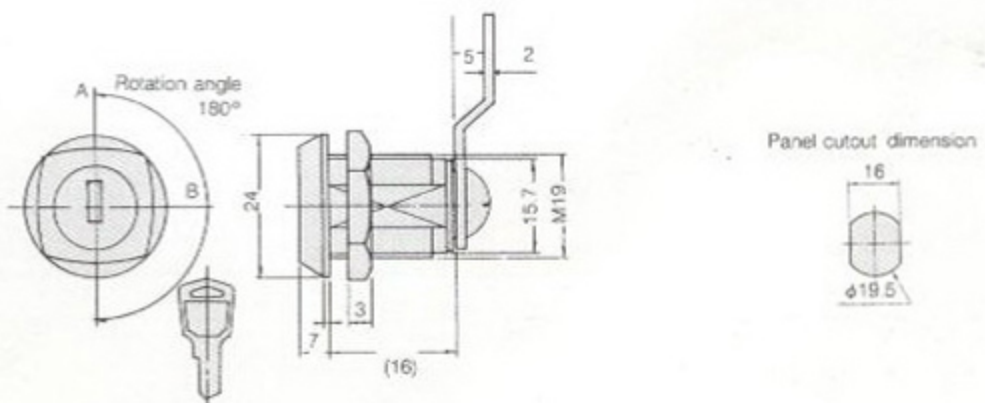


Model No.	(L1)	L2	L3	
C-402	1	33.7	17.4	6.3
C-402	2	40	23.5	6.3
C-402	3	44.5	28.3	6.3

## C-403 C-405 CAM LOCKS (ZINC ALLOY)

C-403

C-405



## C-404 C-406 SCREWDRIVER LOCKS

C-404

C-406

