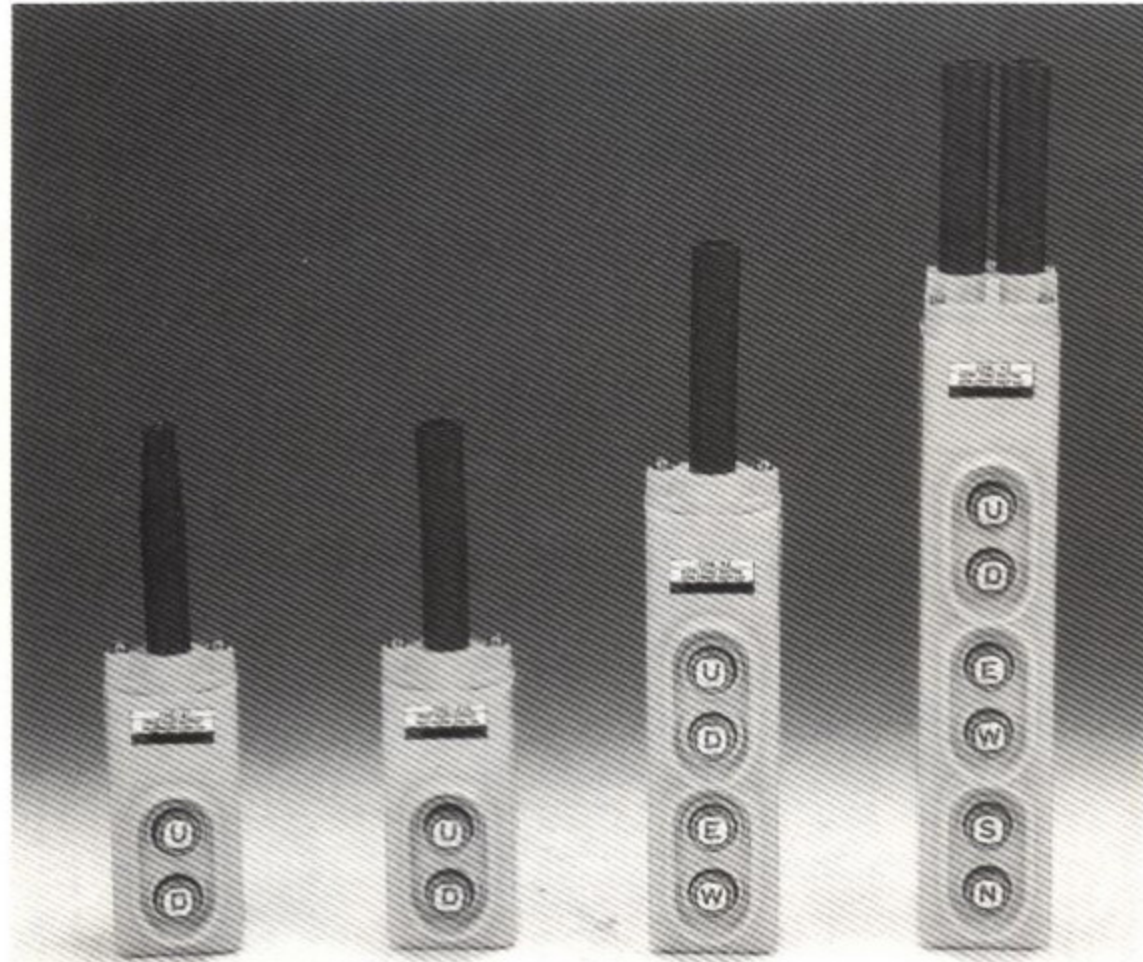


HOIST PUSH BUTTON SWITCH

DIRECT OPERATION TYPE



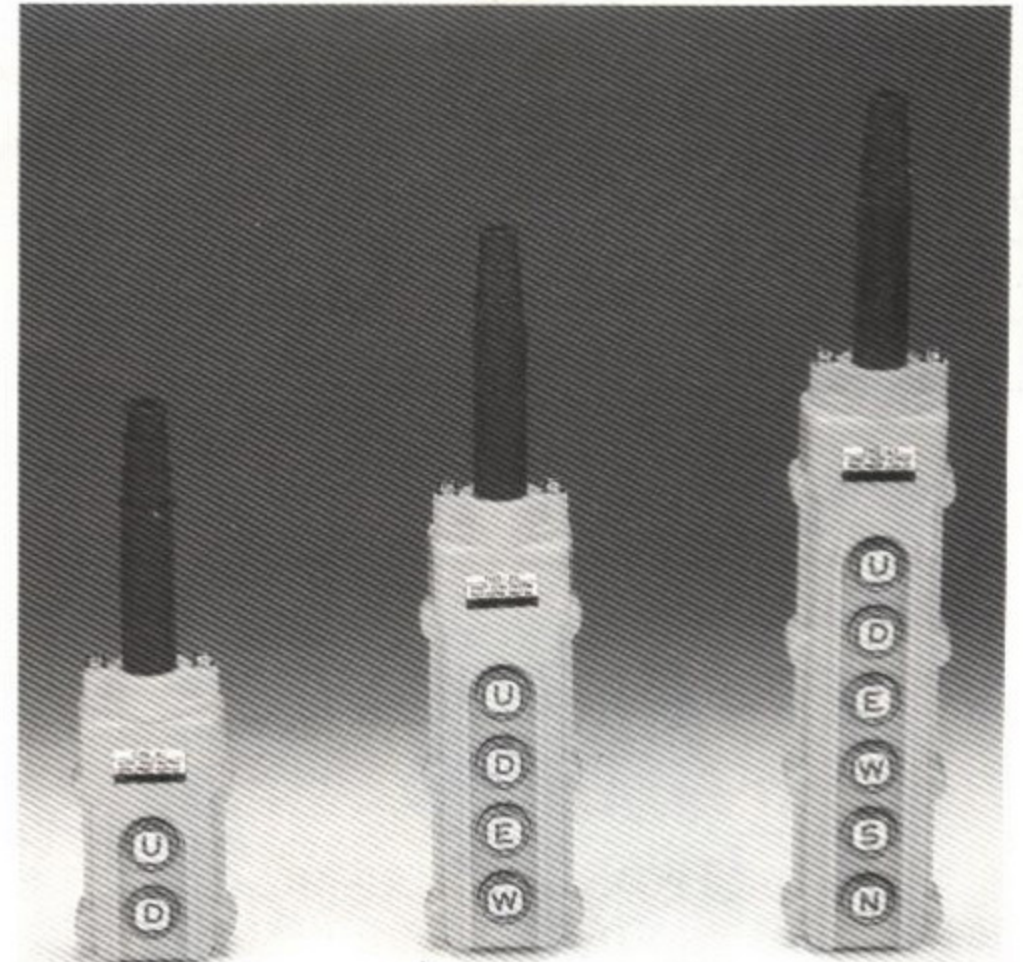
VHS-21

VHS-213

VHS-22

VHS-23

INDIRECT OPERATION TYPE



VHS-61

VHS-62

VHS-63

The hoist pushbutton switches are classified as follows in accordance with application.

Direct operation

1. Hoisting (one set of forward and reverse)
2. Hoisting, transverse, or longitudinal (two sets of forward and reverse)
3. Hoisting, transverse, and longitudinal (three sets of forward and reverse)

In conjunction with a magnetic switch

4. Hoisting (one set of forward and reverse used in conjunction with a magnetic switch)
5. Two sets and three sets of forward and reverse are planned.

■ SPECIFICATIONS

| Type | Hoist operation | Maximum applicable electric motor capacity 200/220V kW (HP) | Standard | | Special | | | | |
|--------------------|-----------------|---|---|---|----------------------|---|---------|-----|-----|
| | | | Inner diameter of the gland bushing packing (mm.) | Nominal cross-sectional area (mm ²) | Number of conductors | Other special rubber cables | | | |
| Direct operation | VHS-213 | 0.75(1) 1 ϕ 100V | 18 | 2.0 | 6 | 2mm ² , 4-conductor, vinyl, 12 ϕ 2mm ² , 9-conductor, rubber, 19 ϕ 2mm ² , 7-conductor, chloroprene, 17 ϕ | | | |
| | VHS-21 | | | | | | 2.2(3) | 16 | 2.0 |
| | VHS-22 | Hoisting and transverse (or longitudinal) | 2.2(3)x2 | 18 | 2.0 | | 7 | | |
| | VHS-23 | Hoisting transverse and longitudinal | 2.2(3)x3 | 14-1, 16-1 | 2.0 | | 4 and 5 | | |
| Indirect operation | VHS-61 | 250V 5A 500V 2A with a magnetic switch | 12 | 2.0 | 3 | 10 ϕ , 11 ϕ , 13 ϕ | | | |
| | VHS-62 | | Two sets | | | | 16 | 2.0 | 6 |
| | VHS-63 | | Three sets | | | | 18 | 2.0 | 7 |

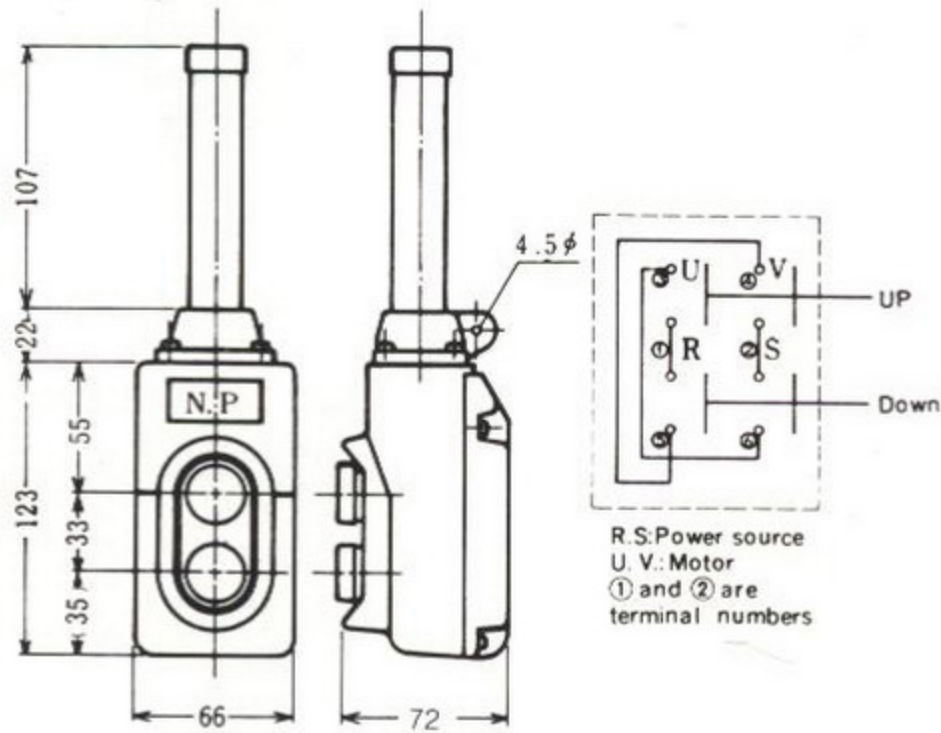
* The inner diameter of the rubber packing should be determined in accordance with the size of the rubber cable.

* Hoist pushbutton switches having one gland bushing can be manufactured as a special type of VHS upon request. For the rubber cable refer to the inner diameter of the packing listed in the above table.

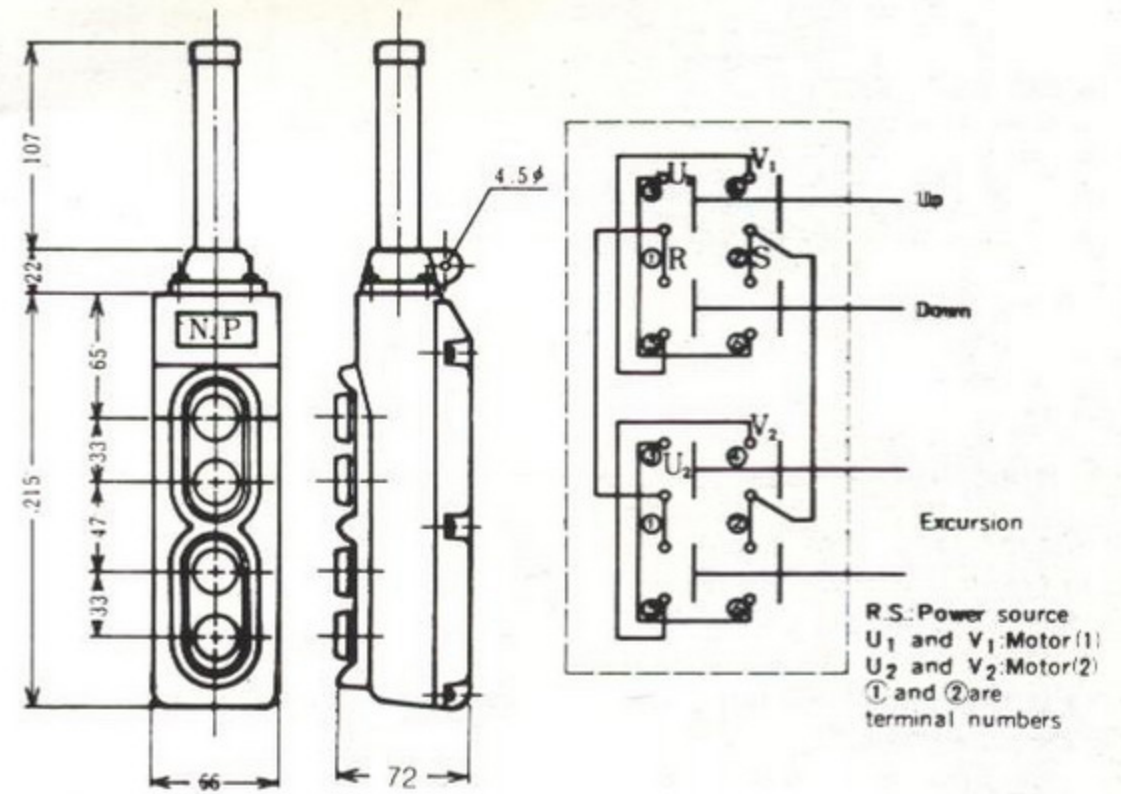
HOIST PUSH BUTTON SWITCH

CONNECTION DIAGRAM AND EXTERNAL DIMENSIONS

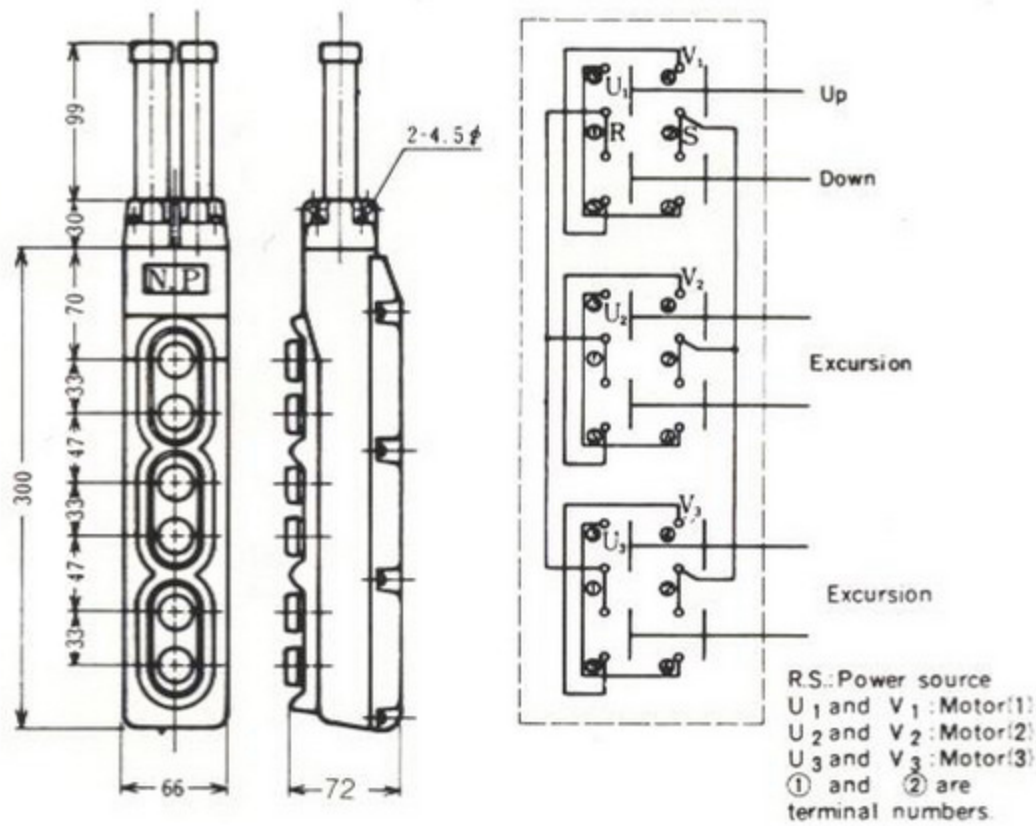
VHS-21



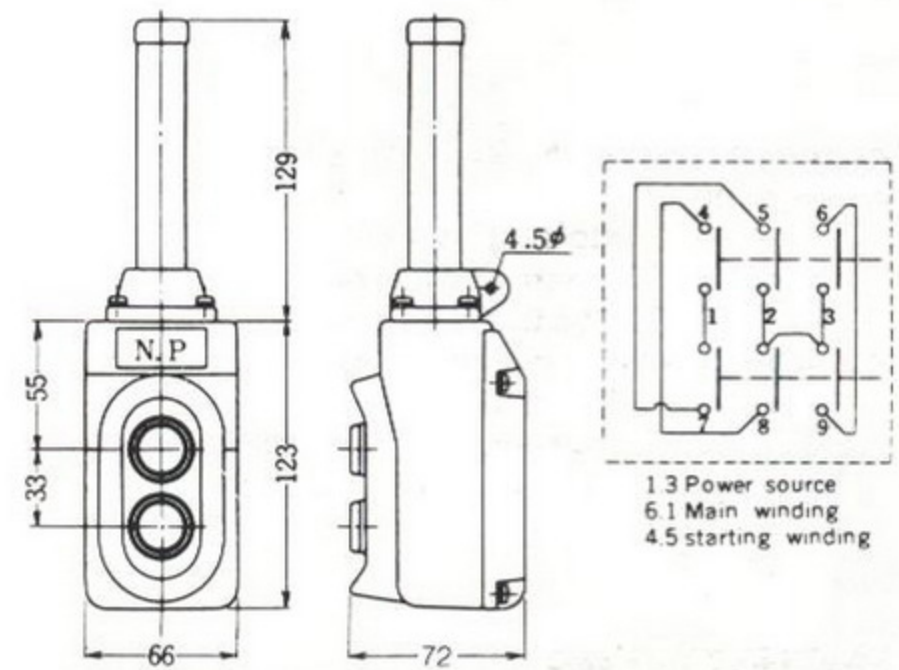
VHS-22



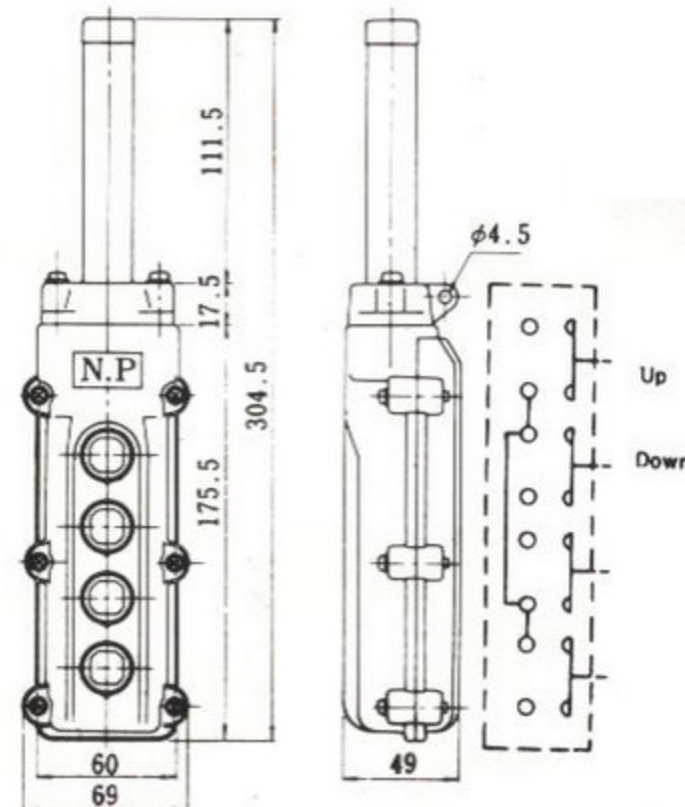
VHS-23



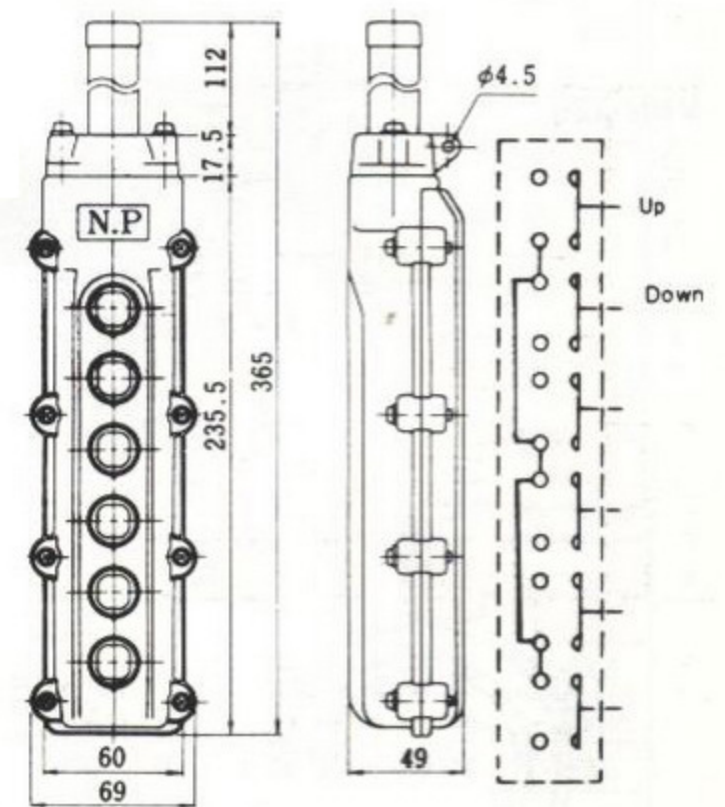
VHS-213



VHS-62



VHS-63



VHS-61

