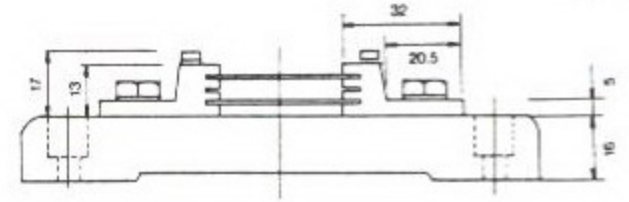
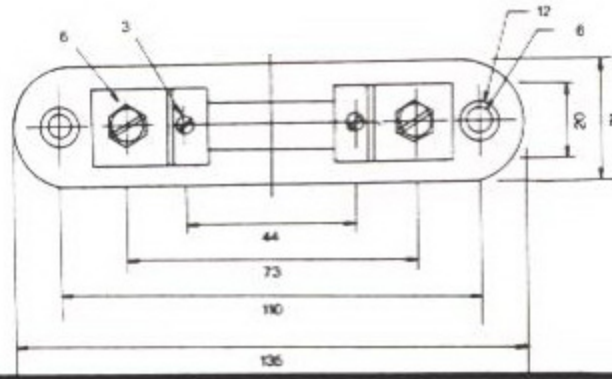


SHUNT-UP TO 500A/50mV

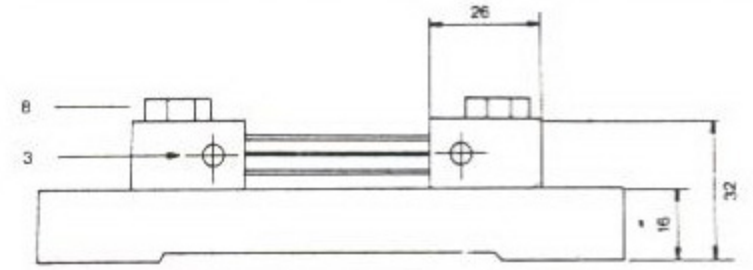
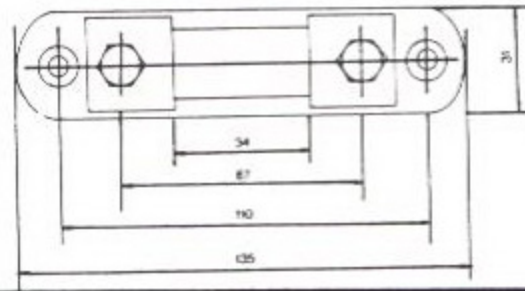
Unit: m/m



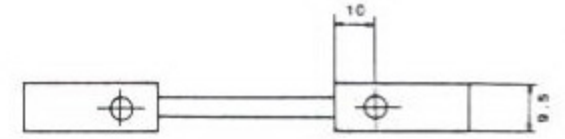
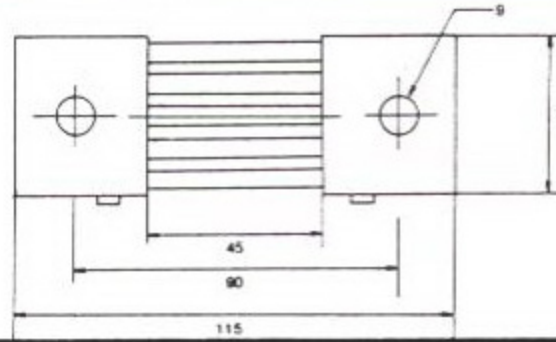
SH-1~150A
/50mV
STAND



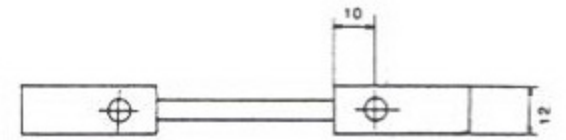
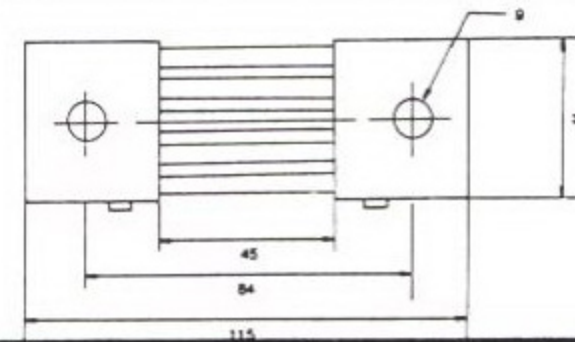
SH-200A
/50MV
STAND



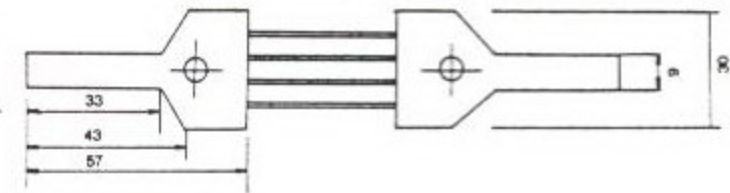
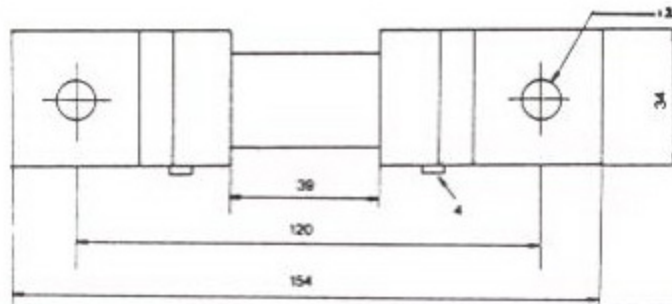
SH-200A
/50MV



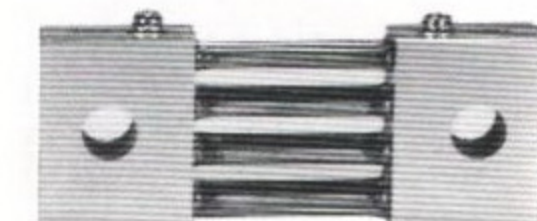
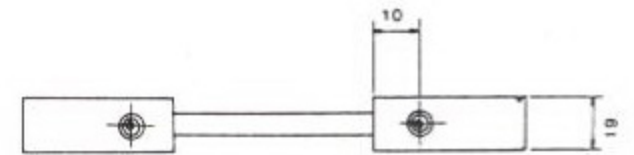
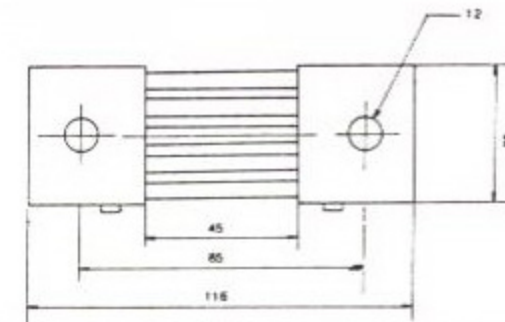
SH-250A
/50MV



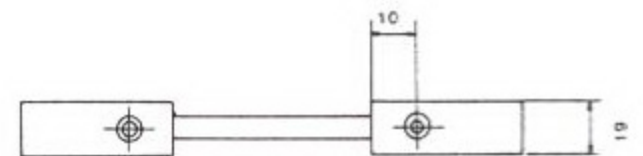
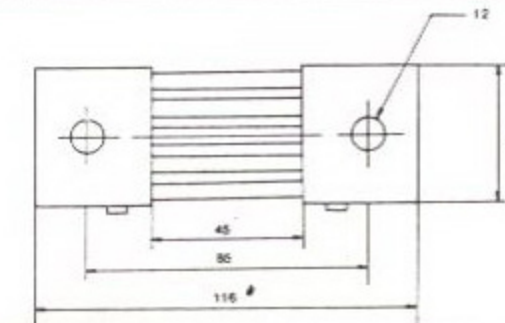
SH-300A-1
/50MV



SH-300A-2
/50MV



SH-400A
/50MV



SH-500A
/50MV

