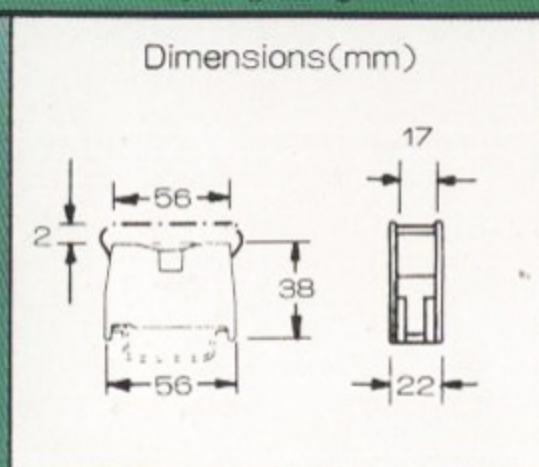


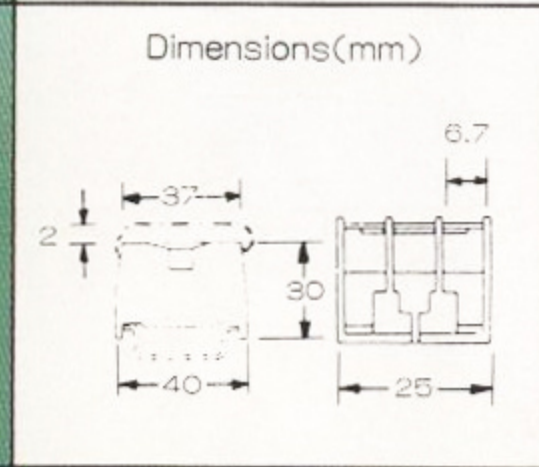
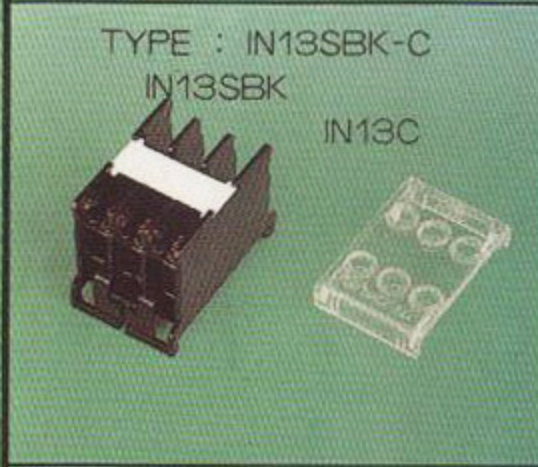
Ratings

定格絶縁電圧
Rated Voltage 600V
定格絶縁電流
Rated Current 20A
耐電圧
Dielectric Strength 2500V, 1MIN
絶縁抵抗
Insulation Resistance 100M Ω MIN
適合電線
Applicable Wire • • 2mm²Max
極数
Circuits Poles 2Poles



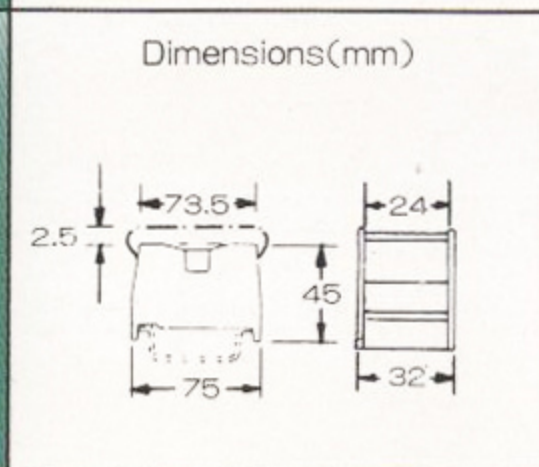
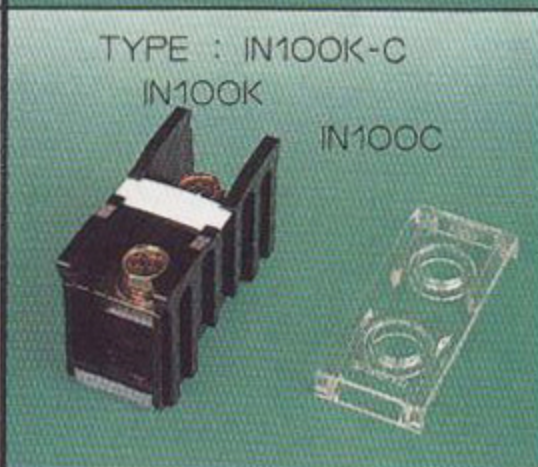
Ratings

定格絶縁電圧
Rated Voltage 600V
定格絶縁電流
Rated Current 90A
耐電圧
Dielectric Strength 2500V, 1MIN
絶縁抵抗
Insulation Resistance 100M Ω MIN
適合電線
Applicable Wire • • 22mm²Max
極数
Circuits Poles 1Poles



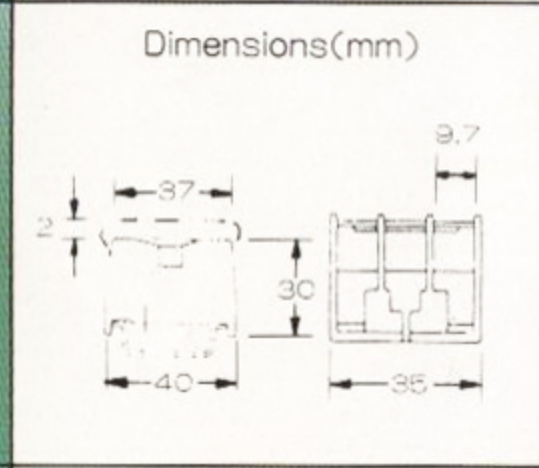
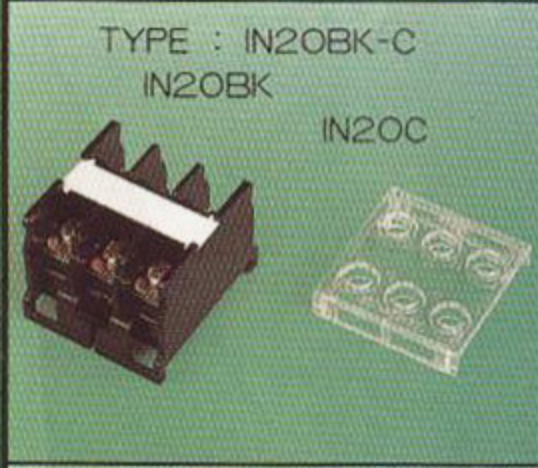
Ratings

定格絶縁電圧
Rated Voltage 600V
定格絶縁電流
Rated Current 20A
耐電圧
Dielectric Strength 2500V, 1MIN
絶縁抵抗
Insulation Resistance 100M Ω MIN
適合電線
Applicable Wire • • 2mm²Max
極数
Circuits Poles 3Poles



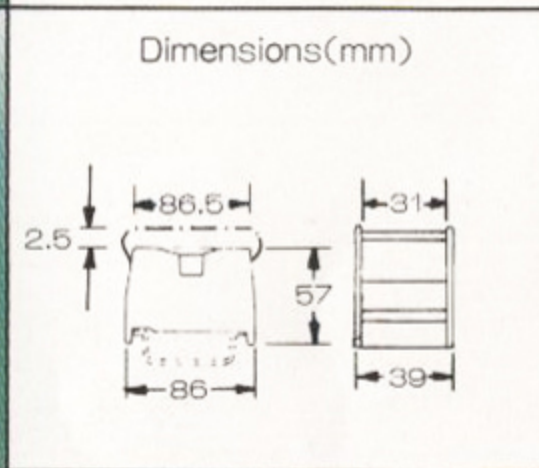
Ratings

定格絶縁電圧
Rated Voltage 600V
定格絶縁電流
Rated Current 130A
耐電圧
Dielectric Strength 2500V, 1MIN
絶縁抵抗
Insulation Resistance 100M Ω MIN
適合電線
Applicable Wire • • 38mm²Max
極数
Circuits Poles 1Poles



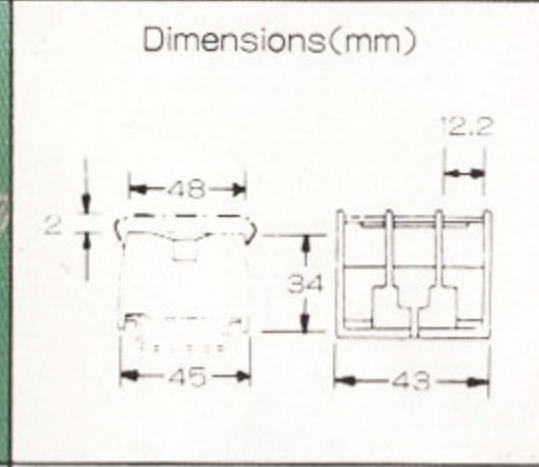
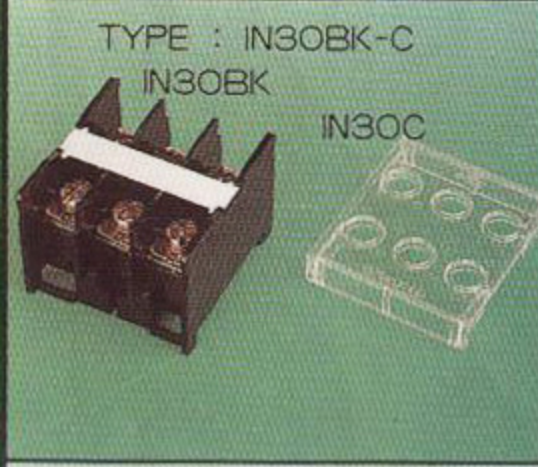
Ratings

定格絶縁電圧
Rated Voltage 600V
定格絶縁電流
Rated Current 30A
耐電圧
Dielectric Strength 2500V, 1MIN
絶縁抵抗
Insulation Resistance 100M Ω MIN
適合電線
Applicable Wire • • 3.5mm²Max
極数
Circuits Poles 3Poles



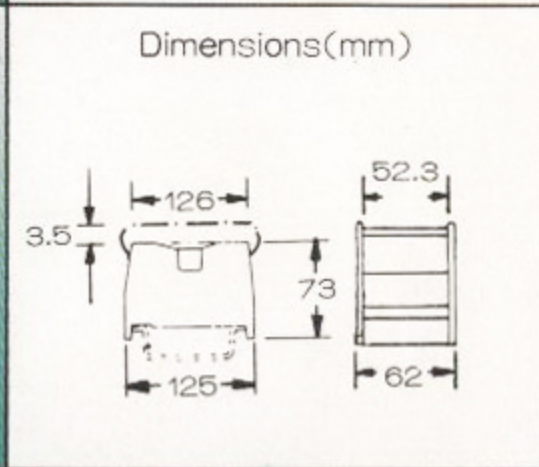
Ratings

定格絶縁電圧
Rated Voltage 600V
定格絶縁電流
Rated Current 240A
耐電圧
Dielectric Strength 2500V, 1MIN
絶縁抵抗
Insulation Resistance 100M Ω MIN
適合電線
Applicable Wire • • 100mm²Max
極数
Circuits Poles 1Poles



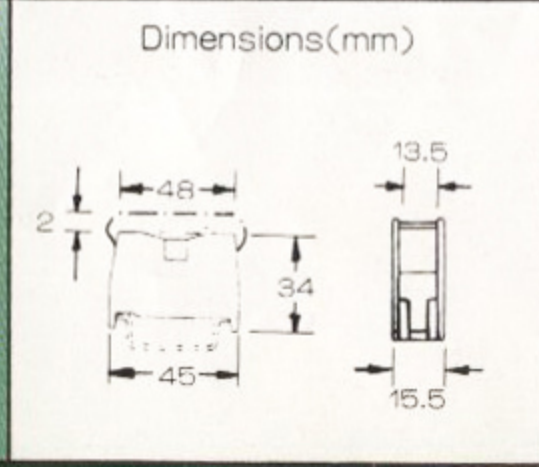
Ratings

定格絶縁電圧
Rated Voltage 600V
定格絶縁電流
Rated Current 50A
耐電圧
Dielectric Strength 2500V, 1MIN
絶縁抵抗
Insulation Resistance 100M Ω MIN
適合電線
Applicable Wire • • 8mm²Max
極数
Circuits Poles 3Poles



Ratings

定格絶縁電圧
Rated Voltage 600V
定格絶縁電流
Rated Current 370A
耐電圧
Dielectric Strength 2500V, 1MIN
絶縁抵抗
Insulation Resistance 100M Ω MIN
適合電線
Applicable Wire • • 200mm²Max
極数
Circuits Poles 1Poles



Ratings

定格絶縁電圧
Rated Voltage 600V
定格絶縁電流
Rated Current 60A
耐電圧
Dielectric Strength 2500V, 1MIN
絶縁抵抗
Insulation Resistance 100M Ω MIN
適合電線
Applicable Wire • • 14mm²Max
極数
Circuits Poles 1Poles

