





MULTI TIMING RANGE ON DELAY TIMER

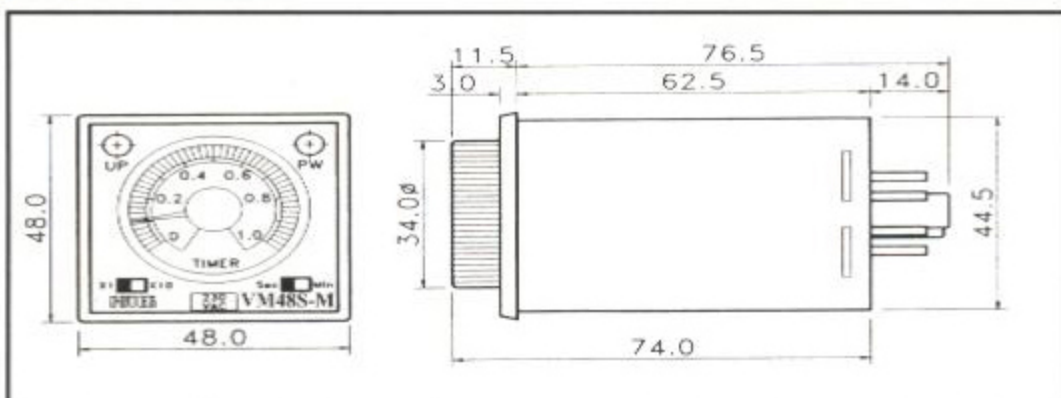


Classification	Multi Voltage DIN 48	Single Voltage 50×40
Model No.	VM48S-M	VH3-M
Appearance		
Timing Range	M3 : 3S / 30S / 3M / 30M M6 : 6S / 60S / 6M / 60M M3H : 3M / 30M / 3H / 30H	M3 : 3S / 30S / 3M / 30M M6 : 6S / 60S / 6M / 60M M3H : 3M / 30M / 3H / 30H
Type	PF085A, US-08, P3G-08	PF085A, US-08, P3G-08
Contact Type	A&B	A&B

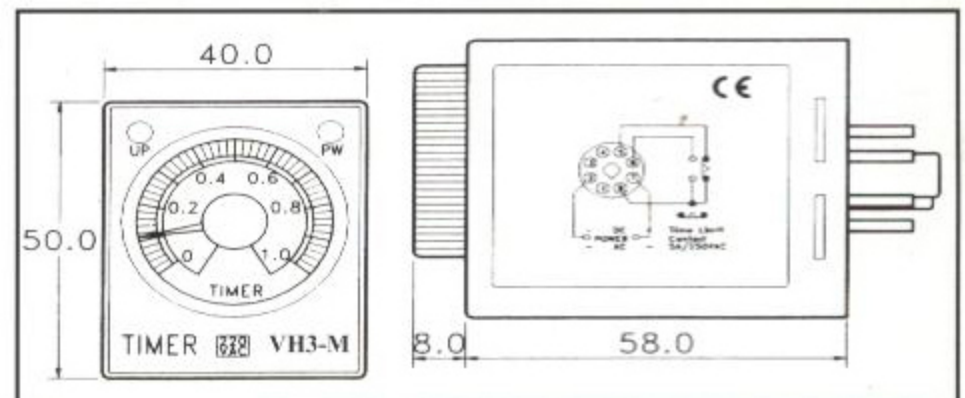
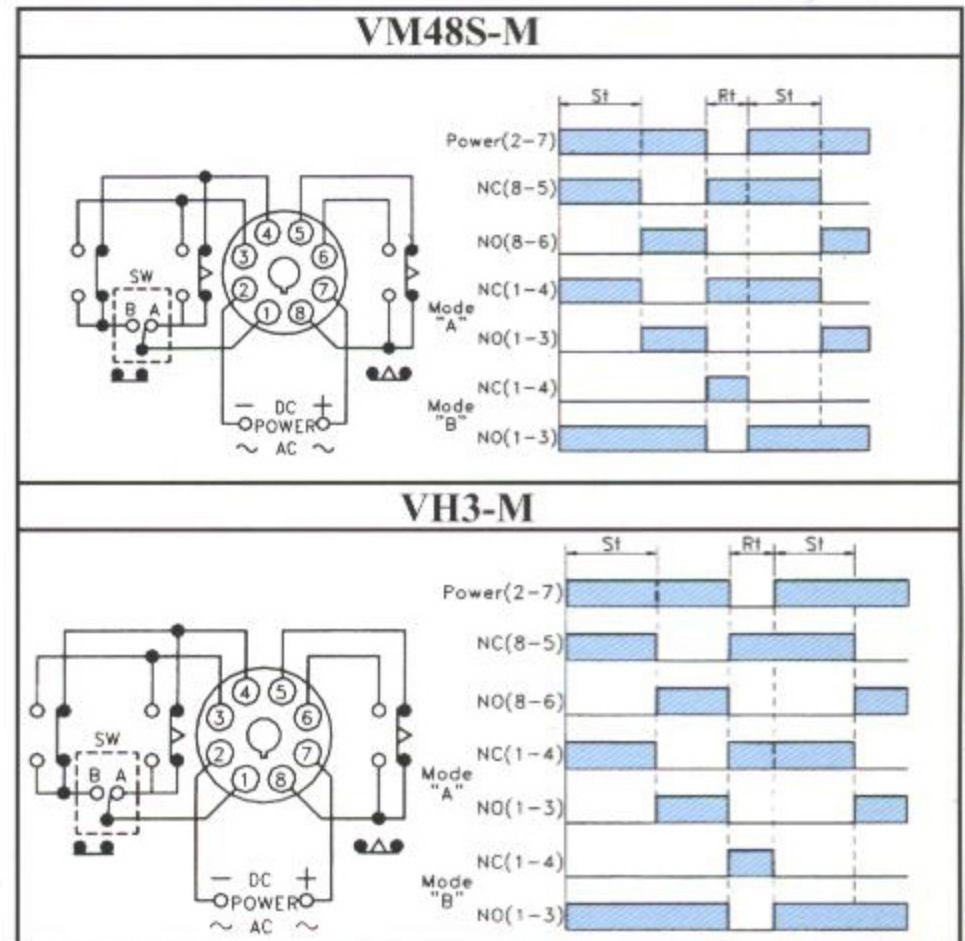
Specification

Single Voltage	12 or 24 VAC/DC or 110V or 220V or 380VAC 50/60HZ
Multi Voltage	24-250V DC/AC 50/60HZ
Wattage Consump	3VA max.
Control Output	Relay
Contact Rated	10A
Repeat Accuracy	0.2% of FS max.
Setting Accuracy	5% of FS max.
Reset Time	0.1S max.
Insulation Strength	100MΩ/500VDC
Dielectric Strength	2.5KV/1min.
Ambient Temr	-10~+60°C , 35~85%RH
Life of Relay	20X10 ⁶ Time

Dimension



Connection & Timing Diagram



MY Series Mini Type Power ON Delay Timer



- * High Receptivity : $\pm 0.2\%$ of F.S. Max.
- * Reset Time : 0.1S Max.
- * Setting Accuracy : 5% of F.S. Max.
- * CE Approved : EMC , RSD & LVD



》 MY Series MY SERIES Specification

Power Supply	12 or 24VDC or 110VAC or 220VAC 50/60 Hz	Guiding of Model : <u>MY - 10S - 2P - 220V</u> ① ② ③ ④ ① Series ② Range ③ Contact Poles. ④ Operating Voltage
Range	1S 、 3S 、 6S 、 10S 、 30S 、 60S 、 3M 、 6M 、 10M 、 30M 、 60M 、 3H 、 6H 、 10H 、 30H	
Contact Rated	7A/250VAC Max 2Poles or 4Poles	
Receptivity	0.2%以下	
Setting Accuracy	0.5%以下	
Reset Timer	0.1Sec以下	
Dielectric Strength	2.5KV/1min.	
Circumstance	-20℃~+80℃ ; 35%~85%RH	