

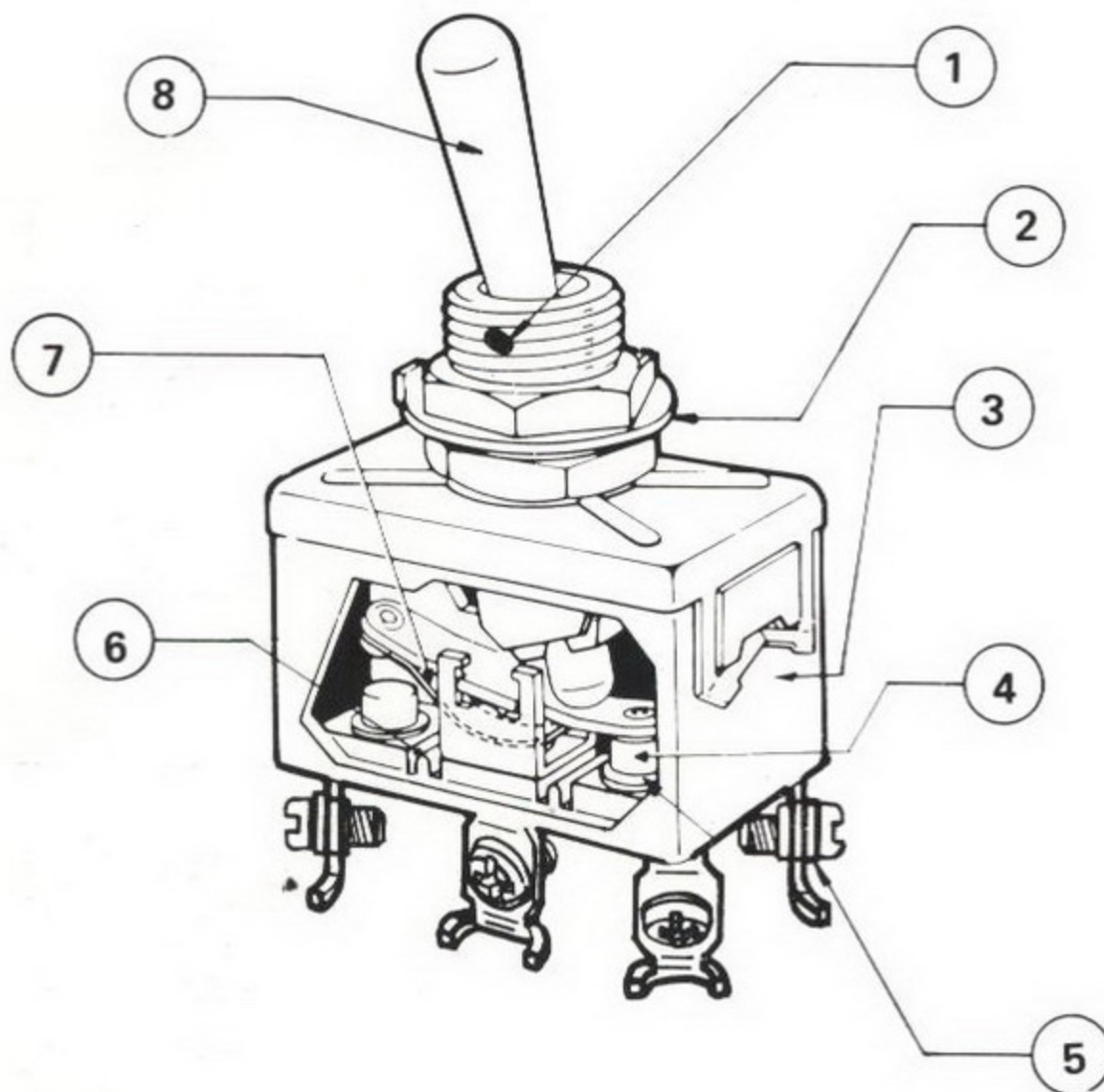
TOGGLE SWITCH

■ FEATURE

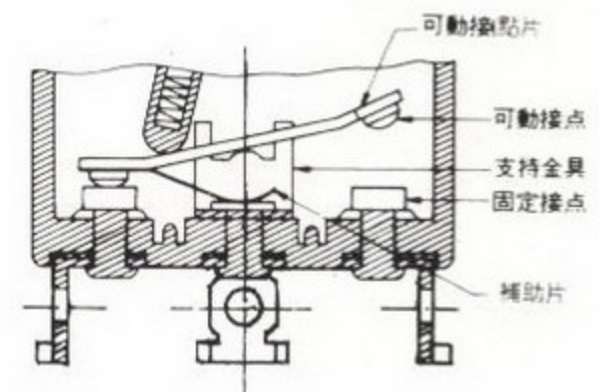
1. Stainless steel Pin fixing the handle, can be operated freely.
2. The attached washer made of steel may have the packing reinforced.
3. Scarlet bakelite adding to the external beauty is excellent in dielectric strength.
4. Ag-Cd alloy contact brings following advantage good conductivity, lower temperatures rise and long service life.
5. Spring washer attached with wiring terminal screw makes wiring easy and packing reinforced.
6. Anti-aging rabbit prevents from short.
7. Supplementary panel at the contact has excellent flexibility, can strengthen the beating force and thereby prevent from skipping.
8. Hard Chromium-plated means more good looking and grinding-resistance.
9. Rivet connect terminal tightly and will not fall off forever.

■ 九大特長

1. 不銹鋼插梢，固定把手位置，操作靈活，不會跳脫及漏電。
2. 附內齒華司，彈簧鋼材質，並加熱處理，增強迫緊強度。
3. 深紅色電木材質，外表美觀，絕緣耐壓性佳。
4. 銀鎢合金接點，防止氧化，導電性佳，降低溫昇，使用壽命長。
5. 配線端子螺絲附彈簧華司，容易配線，增強迫緊度。
6. 劣化防止溝，避免短路。
7. 接點壓力補助片，彈性佳，加強接點接觸時的打擊力，防止接觸不良。
8. 把手鍍硬鉻，美觀耐磨。
9. 使用實心鉚釘鉚接端子，緊密堅固永不脫落。



NAME PLATE - ALUMINUM



■ RATING

LOAD	A. C. RATING	D. C. RATING
RESISTIVE LOAD	10A 250V 15A 125V	0.8A 125V 0.4A 250V
INDUCTIVE LOAD	10A 250V 15A 125V	0.4A 125V 0.2A 250V
LAMP LOAD	300W 110V 500W 220V	-
MOTOR LOAD	200W 125V 300W 250V	-

■ CHARACTERISTICS

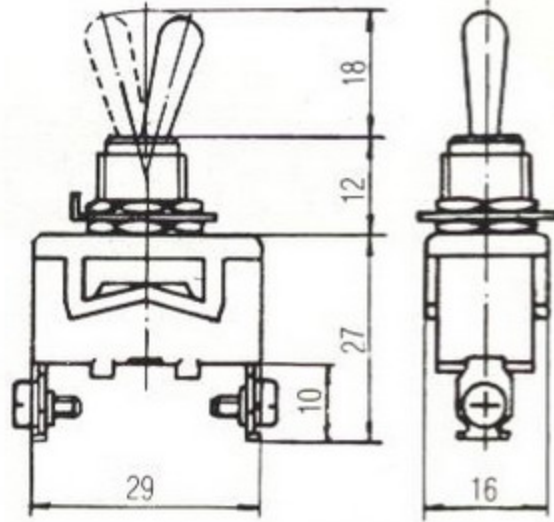
Contact resistance	15mΩ max. (initial)
Insulation resistance	100MΩ min. (at 500 VDC)
Dielectric strength	2,000 VAC, 50/60 Hz for 1 minute
Vibration	10 to 55Hz 1.5mm double amplitude
operating temperature	-25° to +80° C
Humidity	85% RH max.
Service life	Mechanically: 500,000 operations min. Electrically: 100,000 operations min.
Handle Strength	11.5Kg for 1 minute
Terminal Strength	2.5kg for 1 minute

■ AVAILABLE TYPES

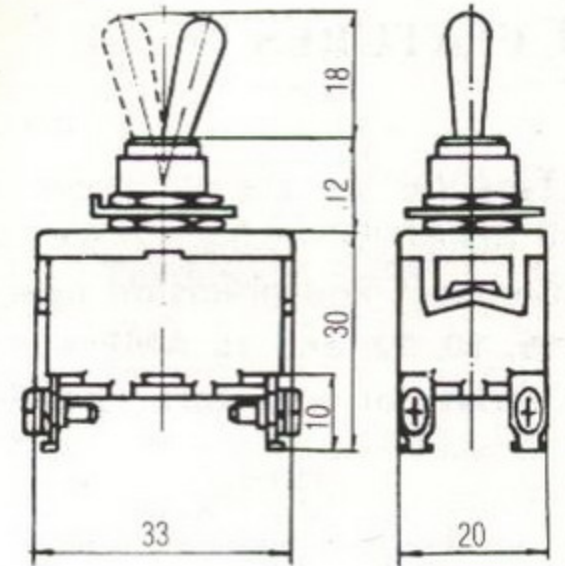
Type	Description	Characteristics	Rating
TO11	單極單投 Single pole Single throw	ON-OFF	250VAC 10A
TO12	單極雙投 Single pole Double throw	ON-ON	"
TO13	單極雙投中央OFF Single pole Double throw (Central OFF)	ON-OFF-ON	"
TO21	雙極單投 Double pole Single throw	ON-OFF	"
TO22	雙極雙投 Double pole Double throw	ON-ON	"
TO23	雙極雙投中央OFF Double pole Double throw (Central OFF)	ON-OFF-ON	"

TOGGLE SWITCH

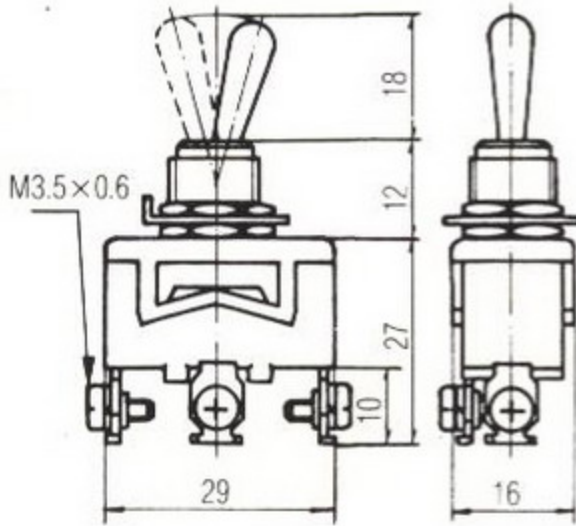
T011B T511B
TOR11B T5R11B



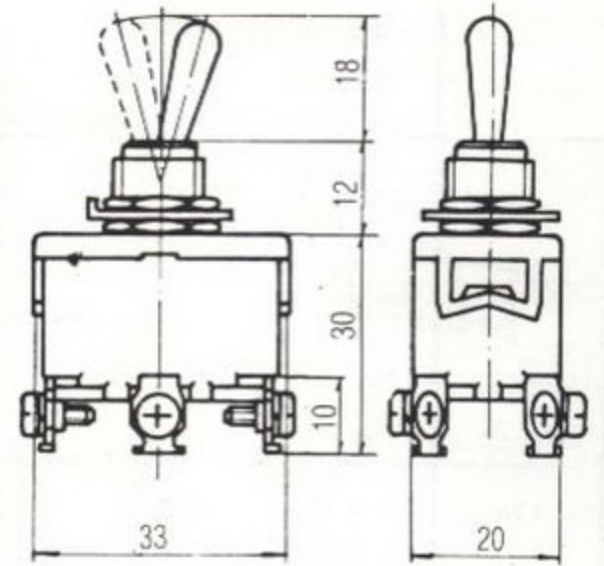
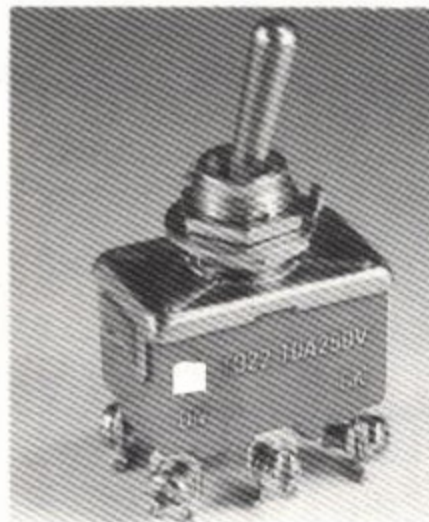
T021B T521B
TOR21B T5R21B



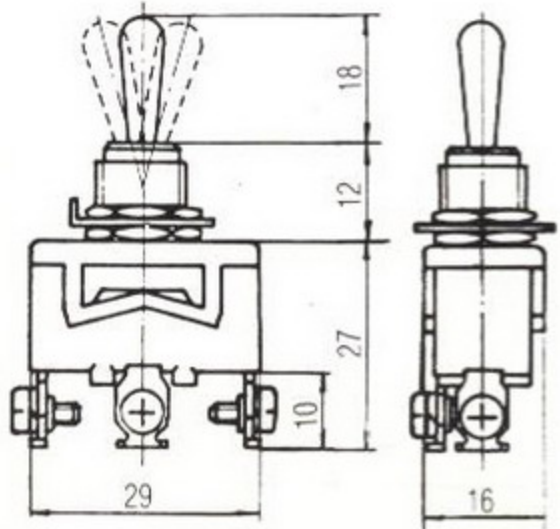
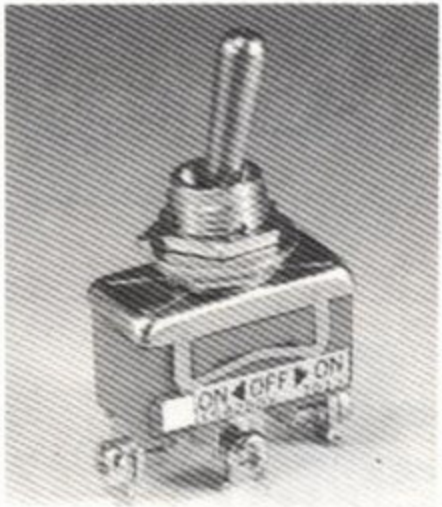
T012B T512B
TOR12B T5R12B



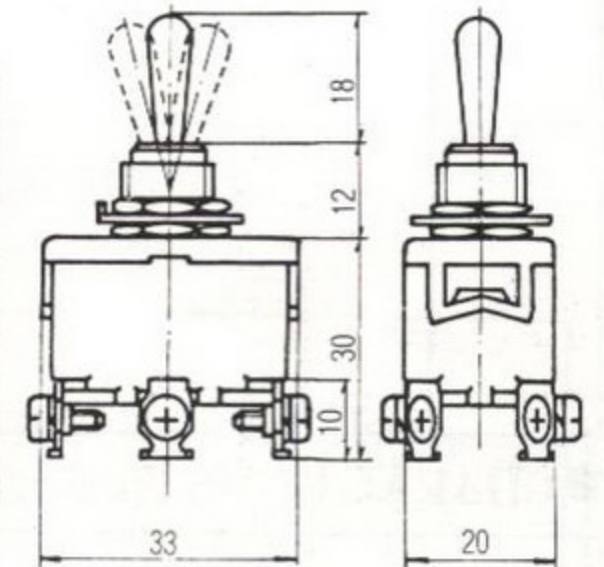
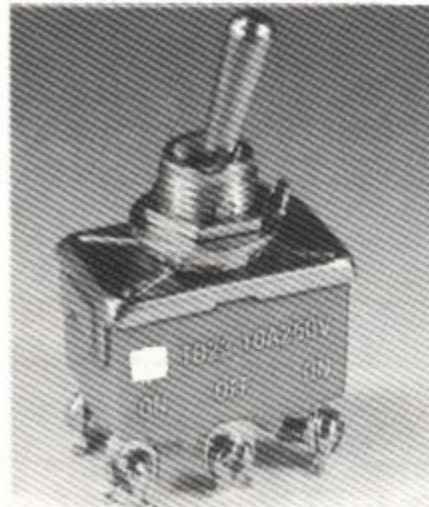
T022B T522B
TOR22B T5R22B



T013B T513B
TOR13B T5R13B



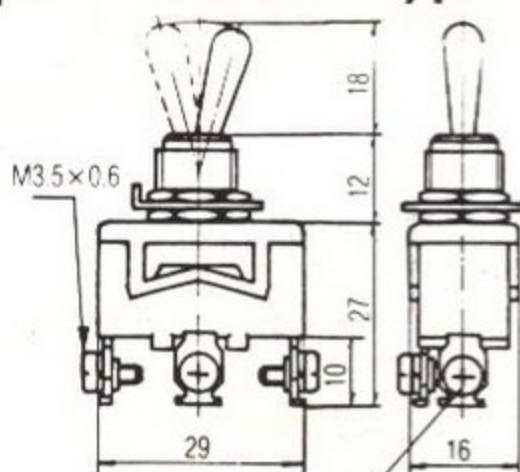
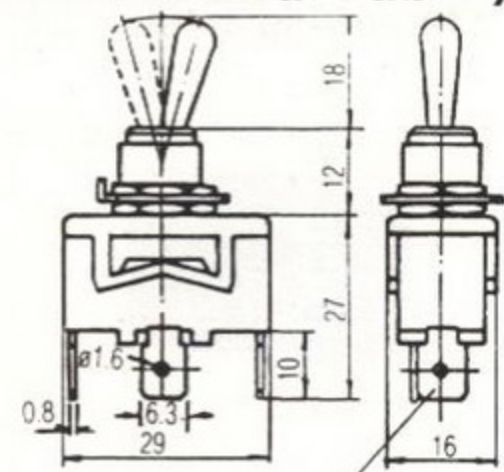
T023B T523B
TOR23B T5R23B



TERMINAL TYPE

Solder and Tab Type

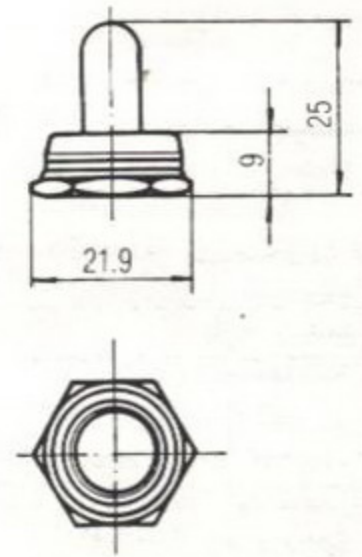
Screw Type

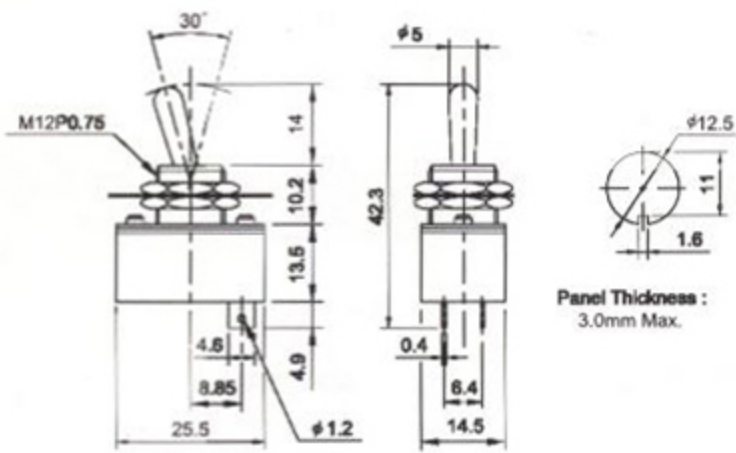


A TYPE

B TYPE

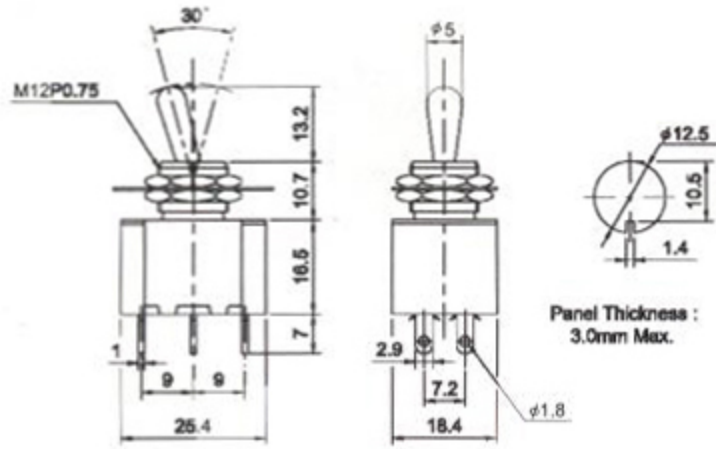
RAINPROOF CAP TOW





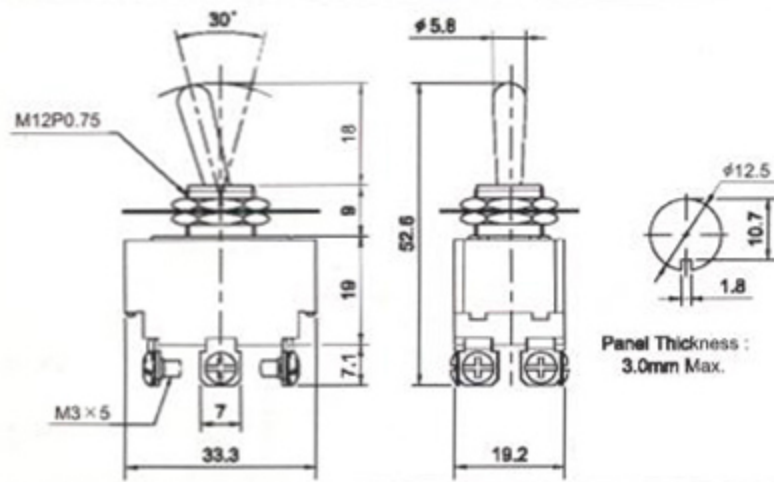
Model No 編號	Rating 電氣範圍	Type 極性	Terminal Quantity 端子數	Circuitry Trait 回路特性		
M269	AC 125V 3A	SPST	2P	ON	-	ON
M270		DPST	4P	ON	-	OFF

M269
M270



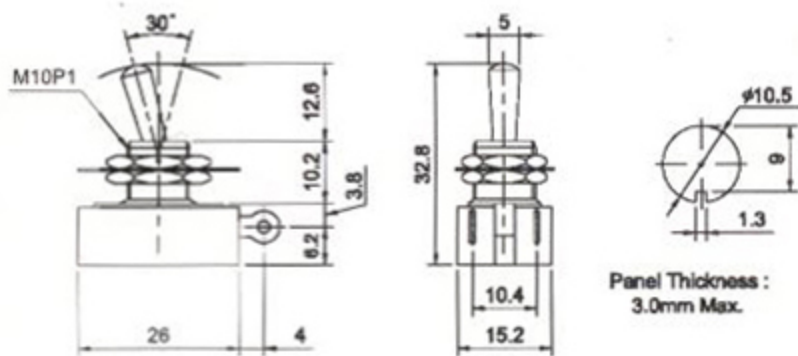
Rating 電氣範圍	Type 極性	Terminal Quantity 端子數	Circuitry Trait 回路特性		
M271	DPDT	6P	ON	-	ON

M271



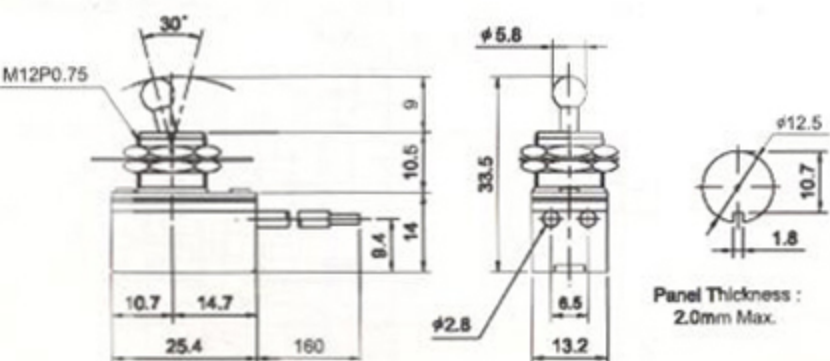
Model No 編號	Rating 電氣範圍	Type 極性	Terminal Quantity 端子數	Circuitry Trait 回路特性		
M272	AC 125V 10A	DPDT	6P	ON	-	ON
		DPDT	6P	ON	OFF	ON

M272



Rating 電氣範圍	Type 極性	Terminal Quantity 端子數	Circuitry Trait 回路特性		
M278	SPST	2P	ON	-	OFF

M278



Rating 電氣範圍	Type 極性	Terminal Quantity 端子數	Circuitry Trait 回路特性		
M277	SPST	2P	ON	-	OFF

M277

